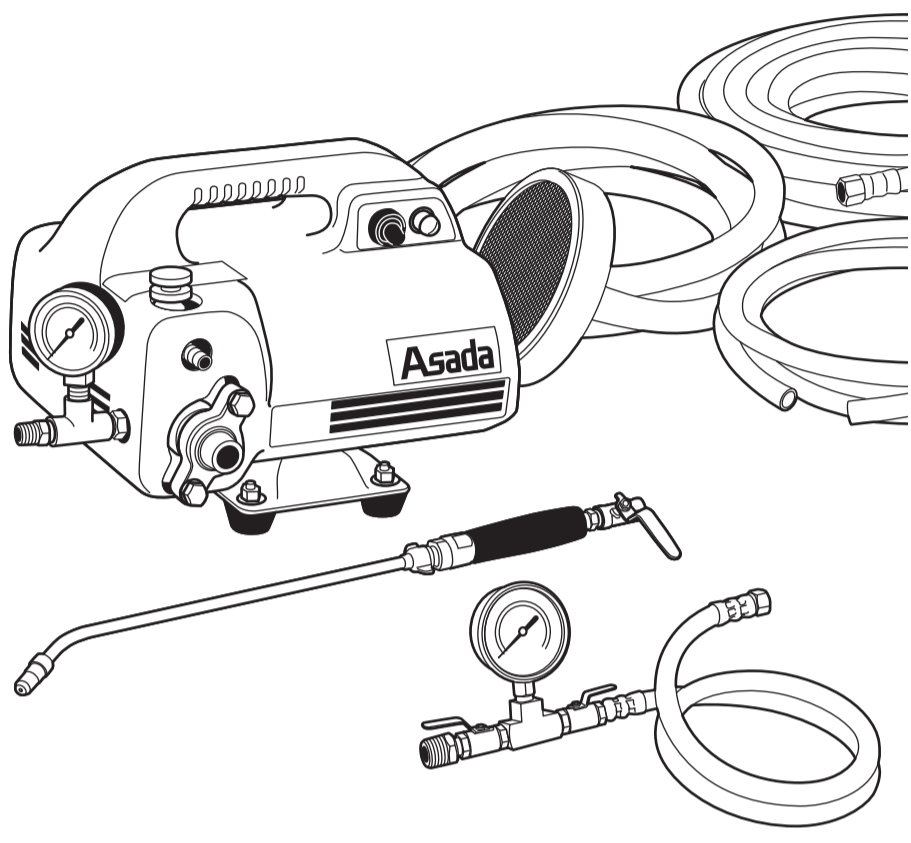


TEST PUMP EP440 HIGH PRESSURE CLEANER 440

INSTRUCTION MANUAL



1

● Main Specifications

Description	TEST PUMP EP440 HIGH PRESSURE CLEANER 440
Motor	200W (1/4 HP) Split-phase-motor
Maximum pressure	3.9MPa (40kg/cm ²)
Power supply	(※Voltage made to order.) 50/60Hz
Operating pressure	3.4MPa (35kg/cm ²)
Weight	9kg
Water volume (50/60Hz)	3.0/3.7 (L/Min)
Dimensions	L 270 x W 230 x H 210(mm)

● Standard Accessories [TEST PUMP EP440]

- ① TEST PUMP body
- ② High-Pressure Hose(1m)
- ③ Pressure Gauge Unit
- ④ Suction Hose(2.5m)
- ⑤ Suction Filter
- ⑥ Relief Hose(2.5m)
- ⑦ Instruction Manual
- ⑧ Spanner

● Standard Accessories [HIGH PRESSURE CLEANER 440]

- ① HIGH PRESSURE CLEANER 440 Pump Body
- ② High-Pressure Hose(8m)
- ③ Spray Gun
- ④ Suction Hose(2.5m)
- ⑤ Suction Filter
- ⑥ Relief Hose(2.5m)
- ⑦ Instruction Manual
- ⑧ Spanner

3

● INTRODUCTION

Thank you for choosing the TEST PUMP EP440 / HIGH PRESSURE CLEANER 440

To ensure safe and efficient operation, please read this manual thoroughly before using equipment.

● CONTENTS

▪ Main Specifications	P.3
▪ Standard Accessories [TEST PUMP EP440]	P.3
▪ Standard Accessories [HIGH PRESSURE CLEANER 440]	P.3
▪ Safety Instructions	P.4
▪ Operating instructions	P.5
▪ Parts Identification	P.5
▪ How to operate TEST PUMP EP440	P.6
▪ How to operate HIGH PRESSURE CLEANER 440	P.7
▪ Troubleshooting	P.8

2

● Safety Instructions

1. Secure machine and footing !

Make sure that machine is stable and keep proper footing and balance.

2. Keep work area clean !

Cluttered area as and benches invite accidents, Keep the work area clean to ensure safety as well as high efficiency.

3. Keep visitors away !

All visitors, especially children, should be kept a safe distance from the work area.

4. Select the place for safe keeping !

Store the pump in a dry place where children cannot get them.

5. Do not misuse machine !

Perform only the functions for which the machine is designed.

Do not force machine.

6. Do not abuse Power Cord !

Never move machine by cord or yank it to disconnect from receptacle.

7. Avoid dangerous environment !

Machine should not be operated in damp locations.

8. Disconnect Power Cord !

When adjusting, servicing or changing accessories Switch OFF and disconnect Power Cord !

9. Avoid accidental starting !

Make sure that Switch is OFF before Plugging in.

10. Avoid dangerous environment !

Do not use machine near inflammable articles such as gasoline, gas, thinner, etc.

Unless required, do not use an extension cord.

Use of an improper extension cord will cause a fire or an electric shock.

For outdoor operation, use a single-phase 15A extension cord of 2mm² or larger gauge.

11. Make sure of voltage !

Use the machine at the voltage indicated on Machine Plate.

12. Ground Pump !

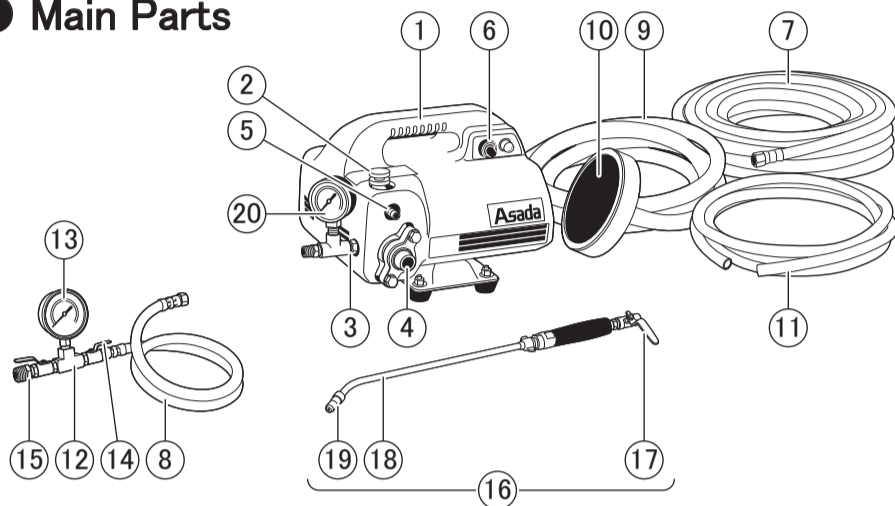
The Pump should be grounded with the Earth Clip of Power Cord while in use.

4

● Operating Instructions

1. Do not run the Pump dry.
2. The Pump must be grounded before it is used.
3. To prevent motor damage, do not turn on Power switch when the Pump is under pressure.
4. Do not expose the Pump to water.
5. Fit(connect) the parts securely after making sure that all water • Proof Packing have been fitted.
6. Do not drag or pull High-Pressure Hose.
7. If the Pump does not suck water, pressure-feed city water to the inlet Connector. Start operation after making sure that the Pump has sucked water properly.
8. Do not use hot water more than 40°C

● Main Parts



- | | |
|---------------------------------|--------------------------------|
| 1. Body | 11. Relief Hose 2.5m |
| 2. Pressure Adjusting Knob | 12. Pressure gauge unit(EP440) |
| 3. Outlet Connector | 13. Pressure gauge(EP440) |
| 4. Inlet Connector | 14. Stop Valve A(EP440) |
| 5. Relief Outlet | 15. Stop Valve B(EP440) |
| 6. Power Switch | 16. Spray Gun(440) |
| 7. High-pressure Hose 8m(440) | 17. Valve(440) |
| 8. High-pressure Hose 1m(EP440) | 18. Lance(440) |
| 9. Suction Hose 2.5m | 19. Nozzle(440) |
| 10. Suction Filter | 20. Pressure gauge unit(440) |

5

● How to operate TEST PUMP EP440

1. Assembly

- ① Screw the internally threaded metal fitting of the Suction Hose into the Inlet Connector.
- ② Screw the Suction Filter into the externally threaded metal fitting of the Suction Hose.
- ③ Insert the Relief Hose into the Relief Outlet.
- ④ Screw the internally threaded metal fitting of the High-Pressure Hose into the Outlet Connector.
- ⑤ Install the Pressure Gauge Unit on the piping to be tested.
- ⑥ Screw the externally threaded metal fitting of the High-Pressure Hose into the internal threads of the Pressure Gauge Unit.
- ⑦ Open the Stop Valve A and close the Stop Valve B.
- ⑧ Sink the Suction Filter and Relief Hose into the tank.
 - Make connections securely. Otherwise, water may not be sucked or may leak.

2. Operation

- ① Make sure that the power is OFF and connect the Power Plug to the Receptacle.
- ② Fully loosen the Pressure Adjusting Knob and turn the Power Switch ON.
- ③ After making sure that water flows from the Relief Outlet, turn the Power Switch OFF.
- ④ Turn on the Power Switch and tighten the Pressure Adjusting Knob until the Pressure Gauge indicates the predetermined test pressure.
- ⑤ Open the Stop Valve B and deliver water into the piping.
 - When the predetermined pressure is reached, close the Stop Valve A and turn the Power Switch OFF.
 - If the piping leaks, the pressure does not reach the predetermined value.

3. Termination

- ① Before terminating the operation, run the Pump with fresh water for a few seconds to wash the Pump and High-Pressure Hose.
- ② Remove the Suction Filter from the tank, and run the Pump to eliminate the fresh form inside the Pump and High-Pressure Hose.
 - Clean the wire netting of the Suction Filter periodically.

6

● How to operate HIGH PRESSURE CLEANER 440

1. Assembly

- ① Screw the internally threaded metal fitting of the Suction Hose into the Inlet Connector.
- ② Screw the Suction Filter into the externally threaded metal fitting of the Suction Hose.
- ③ Insert the Relief Hose into the Relief Outlet.
- ④ Screw the internally threaded metal fitting of the High-Pressure Hose into the Outlet Connector.
- ⑤ Screw the externally threaded metal fitting of the High-Pressure Hose into the internal threads of the grip on the Spray Gun.
- ⑥ Screw the externally threaded metal fitting of the Lance into the external threads at the front end of the Spray Gun.
- ⑦ Screw the Nozzle into the external threads at the front end of the Lance.
- ⑧ Sink the Suction Filter and Relief Hose into the tank.
 - Make connections securely. Otherwise, water may not be sucked properly or may leak, or water may spout from the connections.

2. Operation

- ① Make sure that the power is OFF and connect the Power Plug to the Receptacle.
- ② Fully loosen the Pressure Adjusting Knob and turn the Power Switch ON.
- ③ After making sure that water flows from the Relief Outlet, turn the Power Switch OFF, and fully tighten the Pressure Adjusting Knob.
- ④ After fully gripping the Valve of the Spray Gun, turn ON the Power Switch.
- ⑤ Valve of the Spray Gun to inject High-Pressure water and release it to stop the injection immediately.
 - Adjust the metal fitting at the tip of the Nozzle to adjust the injection angle. (Tighten the fitting to increase the angle and loosen to decrease.)

3. Termination

- ① Before terminating the operation, run the Pump with fresh water for a few seconds to wash the Pump and High-Pressure Hose.
- ② Remove the Suction Filter from the tank, and run the Pump to eliminate the fresh form inside the Pump and High-Pressure Hose.
 - Clean the wire netting of the Suction Filter periodically.

7

● Troubleshooting

Problem	Cause	Action
Water not sucked	<ul style="list-style-type: none"> • Any of Hose connected • Valve stuck • Filter clogged 	<ul style="list-style-type: none"> • Tighten securely • Pressure-feed city water • Remove dust, etc
Pressure does not increase	<ul style="list-style-type: none"> • Relief Valve fault • Valve worm • Packing worm • Nozzle hole worm 【HIGH PRESSRE CLEANER 440】	<ul style="list-style-type: none"> • Clean or change • Clean or change • Clean or change • Clean or change
Pressure unstable	<ul style="list-style-type: none"> • Air trapped 	<ul style="list-style-type: none"> • Tighten Suction Hose securely
Unusual Noise	<ul style="list-style-type: none"> • Valve clogged or worm • Packing worm 	<ul style="list-style-type: none"> • Clean or change • Clean or change
Hose Vibrating	<ul style="list-style-type: none"> • Nozzle hole worm 【HIGH PRESSRE CLEANER 440】	<ul style="list-style-type: none"> • Clean or change
Motor does not run	<ul style="list-style-type: none"> • No electricity • Pressure inside High Pressure Hose • Pressure too high 	<ul style="list-style-type: none"> • Clean or change Power Supply, Plug, Cord and Switch • Release pressure from Inside Hose • Loosen Pressure Adjusting Knob

Asada
ASADA CORPORATION

3-60, Kamiida, Nishi-Machi, Kita-Ku, Nagoya, Japan 462-8551
TEL +81-52-914-1062 FAX +81-52-914-1065
URL <http://www.asada.co.jp> E-mail: trade@asada.co.jp

EP166
Ver.03 A

8