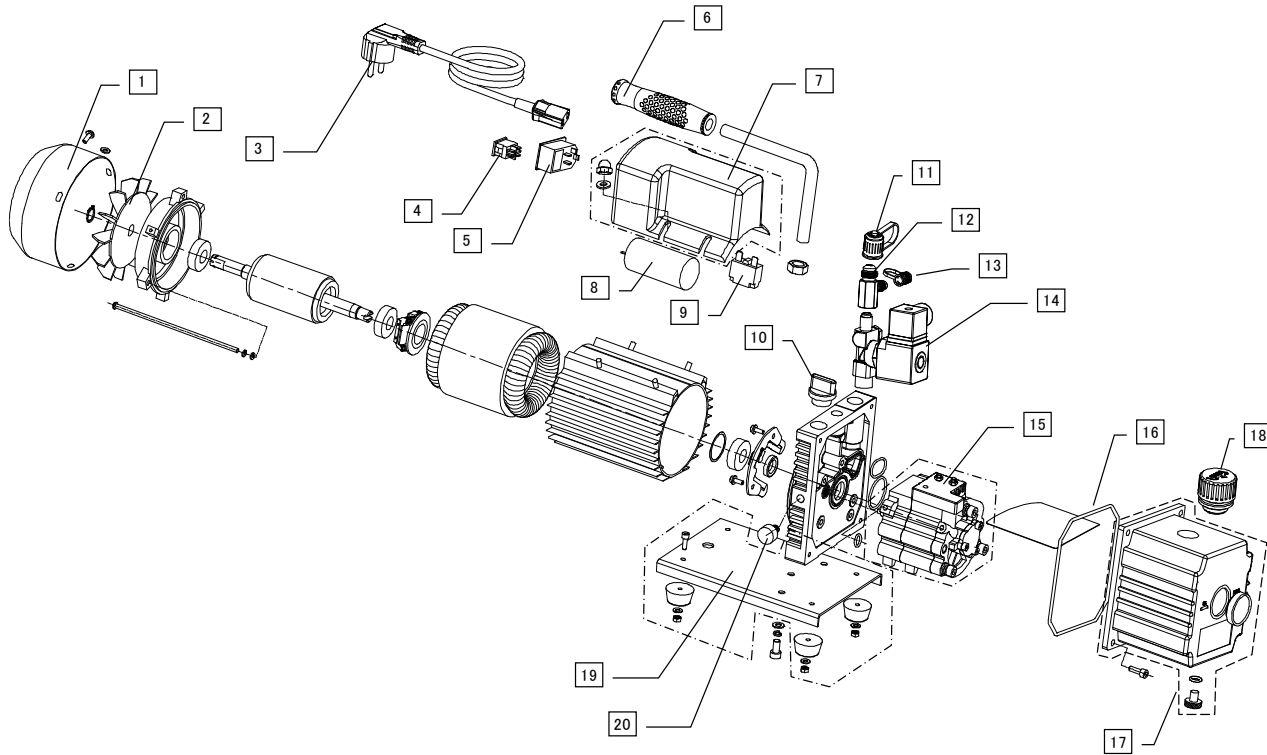


4CFM Eco



4CFM Eco

ISSUED 2019/3/18

| # | CODE No. | PARTS | QTTY | REMARK |
|----|-------------|--------------------------------------|------|--------|
| 1 | WV310200410 | FAN COVER | 1 | |
| 2 | WV310190303 | FAN | 1 | |
| 3 | WV310390103 | POWER SUPPLY CORD 1.8m 3P INLET TYPE | 1 | |
| 4 | WV310470051 | SWITCH | 1 | |
| 5 | WV310480202 | SOCKET | 1 | |
| 6 | WV310340101 | HANDLE COVER | 1 | |
| 7 | WV2019 | JUNCTION BOX ASSY | 1 | |
| 8 | WV310490301 | CAPACITOR 350 μ F | 1 | |
| 9 | WV310411003 | BREAKER 10A | 1 | |
| 10 | WV2029 | OIL FILL CAP ASSY | 1 | |
| 11 | WV342 | 3/8" FLARE CAP | 1 | |
| 12 | WV310910221 | INLET FITTING NPT: 1/4 W: /1/4 & 3/8 | 1 | |
| 13 | WV71018 | 1/4" FLARE CAP | 1 | |
| 14 | WV4056-220 | SOLENOID VALVE | 1 | |
| 15 | WV4037 | TRESTLE AND PUMP ASSY 4CFM | 1 | |
| 16 | WV300310007 | O RING ϕ 144 \times 2.65d | 1 | |
| 17 | WV4040 | OIL HOUSING ASSY | 1 | |
| 18 | WV2039 | EXHAUST AND OIL FILL PLUG ASSY | 1 | |
| 19 | WV2050 | BASE ASSY | 1 | |
| 20 | WV2051 | GAS BALLAST VALVE ASSY | 1 | |
| | WV240M-220 | 4CFM ECO MOTOR ASSY UNIT | 1 | |