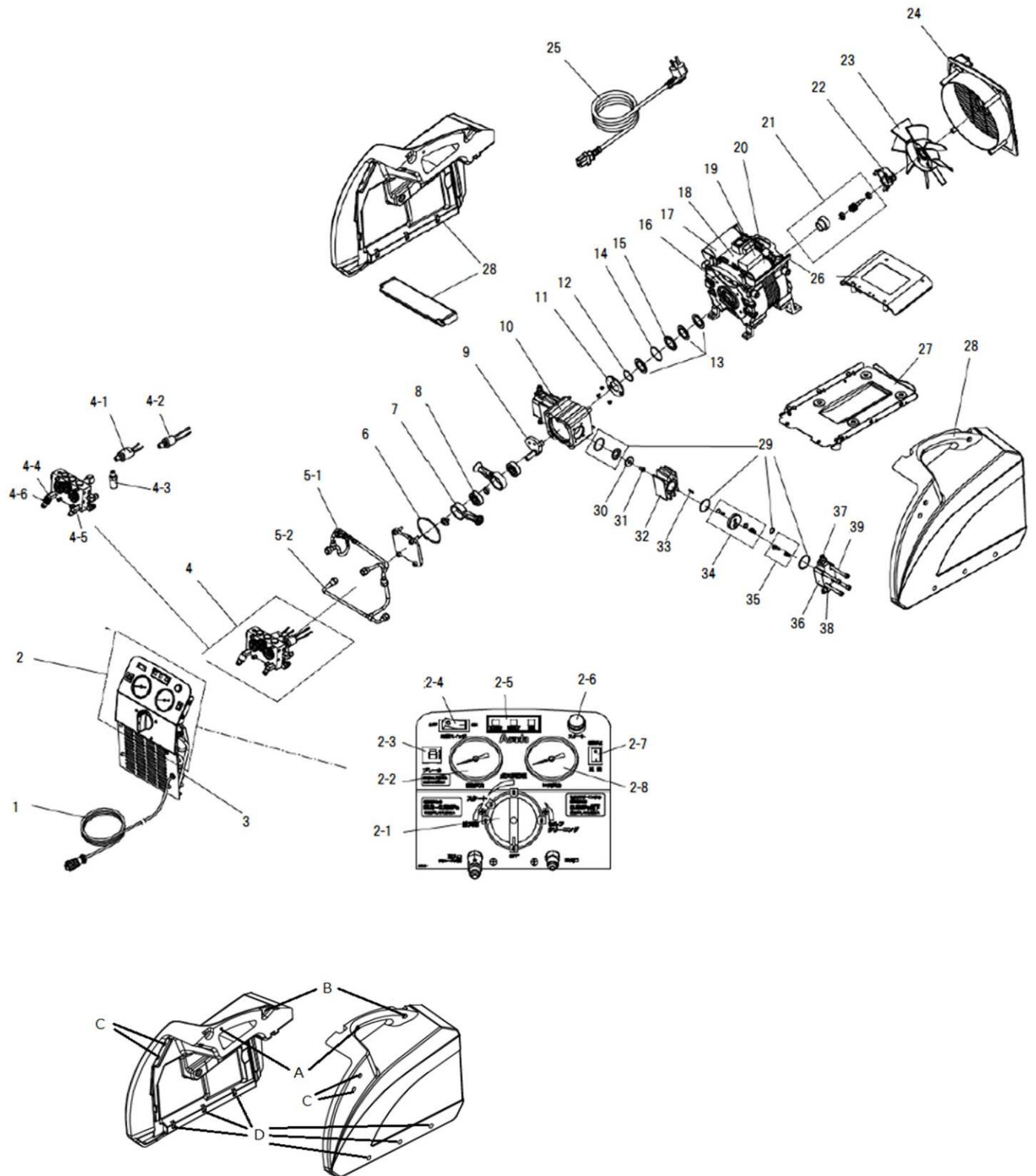


Refrigerant Recovery Machine ECO saver V240SP

NDA: 18120



Refrigerant Recovery Machine



ECO saver V240SP

№	Code №	Parts Name	Qty	Remarks
1	ES266	Float Cable (100V)	1	
1	ES581	Float Cable (220V)	1	
2	ES662	Front Panel (100V)	1	
2	ES582	Front Panel (220V)	1	
2-1	ES265	Operation Valve	1	
2-2	ES663	Low Pressure Gauge (100V)	1	
2-2	ES674	Low Pressure Gauge (220V)	1	
2-3	ES261	Breaker (100V)	1	
2-3	ES584	Breaker (220V)	1	
2-4	ES664	Power Switch	1	
2-5	ES665	Alarm Light	1	
2-6	ES257	Starting Button	1	
2-7	ES264	Bypass Switch	1	
2-8	ES666	High Pressure Gauge (100V)	1	
2-8	ES675	High Pressure Gauge (220V)	1	
3	ES267	Condenser	1	
4	ES335	Control Valve Kit (100V)	1	
4	ES586	Control Valve Kit (220V)	1	
4-1	ES288	Low Pressure Switch	1	
4-2	ES276	High Pressure Switch (100V)	1	
4-2	ES587	High Pressure Switch (220V)	1	
4-3	ES294	Safety Valve (100V)	1	
4-4	ES324	Inlet Adaptor 45°	1	
4-5	ES325	Outlet Adaptor 45°	1	
4-6	ES299	Inlet Adaptor	1	
5-1	ES286	Inlet Pipe	1	
5-2	ES287	Outlet Pipe	1	
6	ES345	O Ring (67x2.65)	2	
7	ES283	Connecting Rod	2	
8	ES671	Connecting Rod Bearing	2	
9	ES338	Shaft	1	
10	ES334	Cabinet	1	
11	ES339	Plate for Shaft Gasket	1	
12	ES340	O Ring (26.7x1.8)	1	
13	ES341	Shaft Gasket	3	
14	ES342	O Ring (34.6x1.8)	1	
15	ES344	Shaft Plate	1	
16	ES667	Compressor (100V)	1	(6-15, 29-39)
16	ES676	Compressor (220V)	1	(6-15, 29-39)
17	ES274	Running Capacitor (100V)	1	
17	ES589	Running Capacitor (220V)	1	
18	ES668	Circuit Board	1	

Refrigerant Recovery Machine



ECO saver V240SP

No	Code No	Parts Name	Qty	Remarks
19	ES669	Starter Motor Relay (100V)	1	
19	ES677	Starter Motor Relay (220V)	1	
20	ES271	Starting Capacitor (100V)	1	
20	ES590	Starting Capacitor (220V)	1	
21	ES285	Gear Assembly for Fan	1	
22	ES343	Gear Cover for Fan	1	
23	ES270	Fan	1	
24	ES269	Fan Cover	1	
25	ES254	Power Code 2m (100V)	1	
25	ES305	Power Code 2m (220V)	1	
26	ES661	Junction Box	1	
27	ES268	Base	1	
28	ES301	Cover Set	1	
29	ES333	Piston Ring Set	2	
29	ES346	O Ring (30x1.8)	2	
30	ES311	Piston Ring Plate 1	2	Thickness 2.1
30	ES312	Piston Ring Plate 2	2	Thickness 2.2
30	ES313	Piston Ring Plate 3	2	Thickness 2.3
30	ES314	Piston Ring Plate 4	2	Thickness 2.4
30	ES315	Piston Ring Plate 5	2	Thickness 2.5
30	ES316	Piston Ring Plate 6	2	Thickness 2.6
30	ES317	Piston Ring Plate 7	2	Thickness 2.7
30	ES318	Piston Ring Plate 8	2	Thickness 2.8
31	82803	No.6 Thread M5×14	2	
32	ES281	Cylinder	2	
33	ES321	Location Pin φ3×12	2	
34+35	ES329	Valve Kit (Inlet valve & Outlet valve set)	2	
36	ES332	Cylinder Cover	2	
37	ES322	V200Eco Compressor Head Nipple Fitting	2	
38	ES323	V200Eco Compressor Head Elbow Joint	2	
39	80238	HEX BOLT 6x25	8	
40	ES348	V230SP Strainer Relief Bushing	1	
	ES295	V200Eco Inlet port Adaptor	-	Inlet Fitting + Filter x 4 + O Ring x 2
	ES296	V200Eco Strainer	-	Filter x 4 + O Ring x 2
	ES297	V200Eco Inlet port O Ring	1	
	ES298	Filter	1	
	ES327	Pan Screw M3x10L	5	
	SS0050	ASADA Label	1	
	SS0355	Item Label (R)	1	
	SS0356	Specification Label (L) (100V)	1	
	SS0358	Specification Label (L) (220V)	1	
	SS0259	Front Label	1	

Refrigerant Recovery Machine



ECOsaver V240SP

№	Code №	Parts Name	Qty	Remarks
	ES328	Socket with screw	1	
	ES681	Rubber leg assy. (Front)	2	
	ES682	Rubber leg assy. (Rear)	4	
A	ES683	V240SP Bolt & Nut set (A)	1	
B	ES684	V240SP Bolt & Nut set (B)	2	
C	ES685	V240SP Bolt & Nut set (C)	4	
D	ES686	V240SP Bolt & Nut set (D)	6	