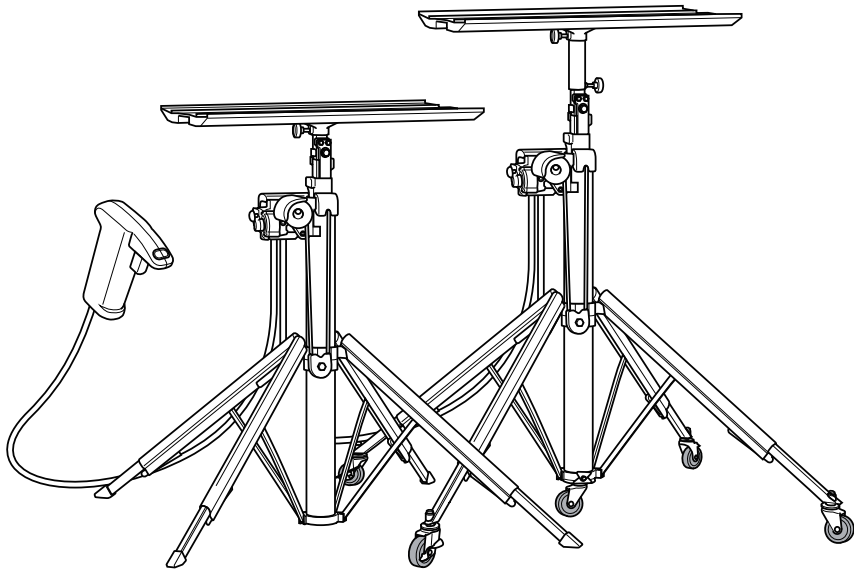


Asada

Wire Lift

Electric Wire Lift

INSTRUCTION MANUAL



Please read through this manual before operating.

ELECTRIC WIRE LIFT

SAFETY PRECAUTIONS

Thank you for selecting Electric Wire Lift.

- Please give this operation manual to anyone who operates this unit.
- For safe and efficient operation any operator should read this manual thoroughly before operation.
- Do not use this unit for purposes other than originally intended.
- Check the following as soon as the unit is delivered:
 - Is the specification same as the ordered product?
 - Has there been any damage or deformation during delivery?
 - Are any accessories missing?

If you have any questions, please contact the store where you have purchased this unit or our sales department.

(The contents of this manual may be changed without prior notice.)

DEFENITIONS OF THE DANGER, WARNING, CAUTION SYMBOLS

In this manual and on the machine, the safety instruction levels are classified into as following three levels.



Denotes that incorrect handling would cause immediate death or injury to the user and others.



Denotes that incorrect handling can cause death or injury to the user and others.



Denotes that incorrect handling can cause user injury or physical damage.

CONTENTS

GENERAL SAFETY INSTRUCTIONS.....	2	OPERATION.....	14
SPECIAL SAFETY INSTRUCTIONS	5	Lift Up and Down.....	14
PARTS IDENTIFICATION	6	Emergency Stop.....	15
Name of parts.....	6	Undo Emergency Stop	15
Positions of warning label.....	7	Manual Operation.....	16
Specification.....	7	Winding Protection Device	16
Standard Accessories.....	8	Overload Protection Device	17
Optional Accessories.....	8	Position of the Wire	17
PREPARATION.....	9	Folding	17
Assembling.....	9	MAINTENANCE & SPECTION.....	18
Horizontal Value.....	10	Daily Inspection.....	18
Use in Step.....	10	6 Month Inspection.....	20
Caster	10	How to Adjust Slide Fixed Resin.....	21
Maximum Load Capacity.....	11	Storage	21
Aluminum Plate.....	12	BEFORE REQUESTING REPAIR OR SERVICE.....	22
Extension Adaptor.....	12		
Emergency Stop Button.....	13		
Power Supply.....	13		

ELECTRIC WIRE LIFT

GENERAL SAFETY INSTRUCTIONS

- Before using the unit, read all safety instructions to use it correctly according to the instructions.
- Detailed function of the operation is described in each chapter after this.

CAUTION

- ◆ **Do not use the unit in a place where has flammable liquid such as gasoline and thinner or flammable gas.**
A spark occurs while operating or turning on/off the switch. It may cause an explosion or ignition.
- ◆ **Do not operate the unit with wet hands or in the rain.**
Handling the electric plug and power switch with wet hands or in the rain, may cause electric shock.
- ◆ **Please check the wire before the operation.**
Do not use the wire with which 10% of the element wires within 1 twist of the wires are cut off, its diameter is less than 3.7mm, kinked, deformed, or corroded. (Refer to P.18 『Daily Inspection』)
- ◆ **Do not remodel the unit.**
- ◆ **Do not exceed rated load capacity.**
Overload may cause of damaging the aluminum plate, fall of the load, or breaking the unit.
- ◆ **Do not move the load on the aluminum plate.**
The center gravity of the load may deviate and the unit may tumble down.
- ◆ **Do not use the unit on a soft ground or inclined surface.**
Operation on the unstable location such as with sand or gravel may cause of dropping the load, turning over the unit, damage, or injury.
Do not use on a bumpy or slippery ground with a slope or holes.

ELECTRIC WIRE LIFT

WARNING

- ◆ **When using the unit, gravity of the load should come at the center of the aluminum plate.**
- ◆ **Do not climb up the unit or set a ladder and put a load on one side of the mast.**
- ◆ **Do not stand under the top board when it's rising.**
In case of the load drops, it may cause of injury. Confirm that there are no people around during the operation.
- ◆ **Do not bring hands or face closer to the part to be driven while operating.**
- ◆ **Do not lift the load without fixing.**
For preventing a move of the load on the top board, fix the load by a belt before lifting.
- ◆ **Do not operate the unit to swing the load.**
- ◆ **Do not leave the unit with lifting up or with an elevated load.**
- ◆ **Do not move the load while lifting.**
- ◆ **Use the unit in a place where no wires or obstacles overhead.**
- ◆ **Do not use the unit on an unstable place such as a bed of a truck.**
- ◆ **Do not disassemble the unit except service engineers. Also do not remodel the unit.**
It may cause of injury or trouble by abnormal movement.
- ◆ **Do not let people not involved in the operation stay close to the unit.**
- ◆ **Do not use the unit in strong or gusty winds, or in the rain.**

ELECTRIC WIRE LIFT

CAUTION

- ◆ **Do not give a strong shock to the unit. Also do not pull the mast with a force.**
- ◆ **Make sure that there is no trouble with the unit by idling two or three times before use.**
Especially when the unit hasn't been used for long time, please idle.
Do not idle without the aluminum plate on the unit.
- ◆ **Use only approved parts for the unit.**
- ◆ **Wear an appropriate clothes for the operation.**
Wear a helmet, safety shoes, and gloves while operating.
- ◆ **Do not exceed the load capacity or specification.**
It may cause of an injury or damage of the unit.
- ◆ **Keep the work space and surroundings clean and tidy.**
It will affect not only safe work, but also working efficiency.
- ◆ **Do not operate on an unstable location or with unnatural posture.**
It may cause of an injury by stumbling.

ELECTRIC WIRE LIFT

SPECIAL SAFETY INSTRUCTIONS

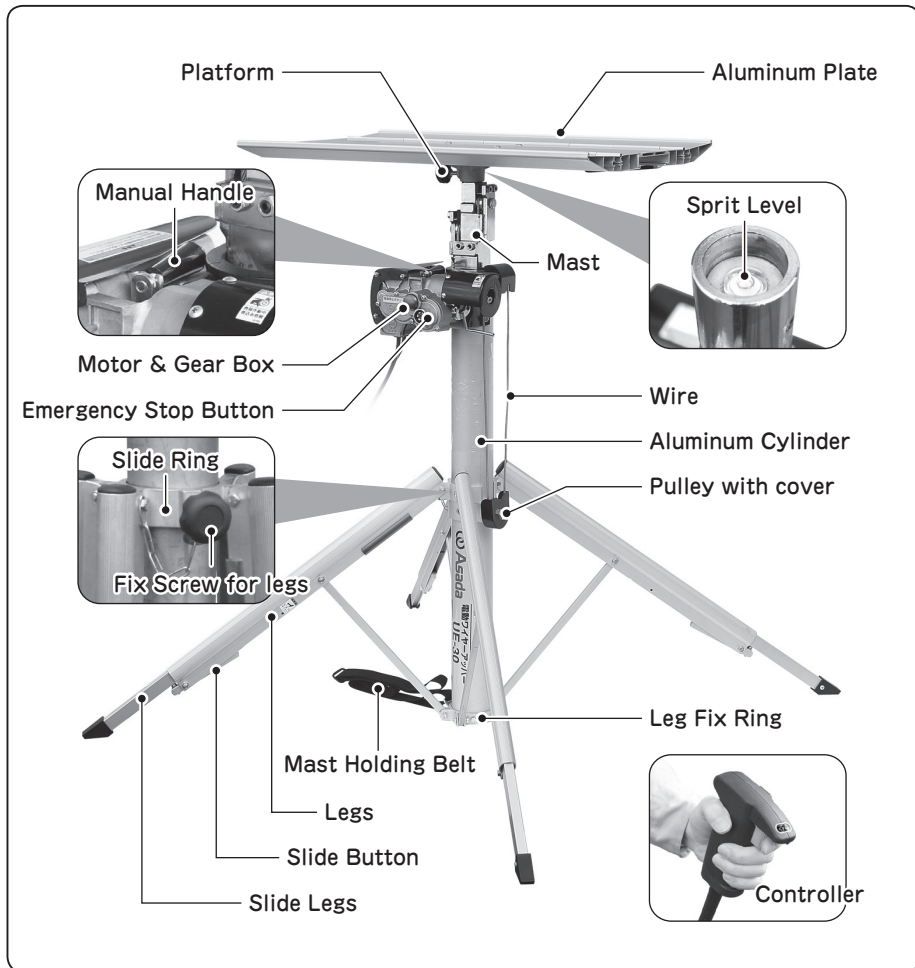
WARNING

- ◆ **The unit is a lift for the load. Do not lift people or animal.**
- ◆ **Check all the parts before use and confirm whether there is no damage or lack of the parts.**
In case of any damage or lack of the parts, stop using the unit immediately and repair or change.
- ◆ **Do not load the load on the edge of the aluminum plate.**
It may cause of damaging the plate and dropping the load.
- ◆ **Do not use a broken aluminum plate.**
- ◆ **Press the emergency stop button and turn off the power supply if problems occur during operation. Stop using the unit immediately and contact an authorized repairer.**
- ◆ **When overload protection or winding protection is on, do not pull the trigger of the controller.**
It may cause of a breakdown.
- ◆ **Use only the included handle for a manual operation.**
Use only approved parts for the unit. Using not standard parts may damage the unit and cause danger.
- ◆ **Keep away the power cable from objects that are sharp or with heat.**
- ◆ **Avoid using with an extension cord unless it is necessary.**
Using an inappropriate extension cord may cause of fire, getting a shock, or damage of the unit. In case of necessity of using an extension cord for outside work, use a cord less than the length of 20m and over 2 mm² or more.
- ◆ **Do not fill a vent hole of the motor.**
A vent hole of the motor is necessary for preventing from overheating.
- ◆ **Check a level of the lift by a spirit level before use.**
- ◆ **Use the unit with casters on a horizontal location.**
Using it with casters on a slope or step may cause a serious problem.
- ◆ **Do not move the unit while loading the load.**
- ◆ **Use brakes of the slide casters while operating.**

ELECTRIC WIRE LIFT

PARTS IDENTIFICATION

Name of parts

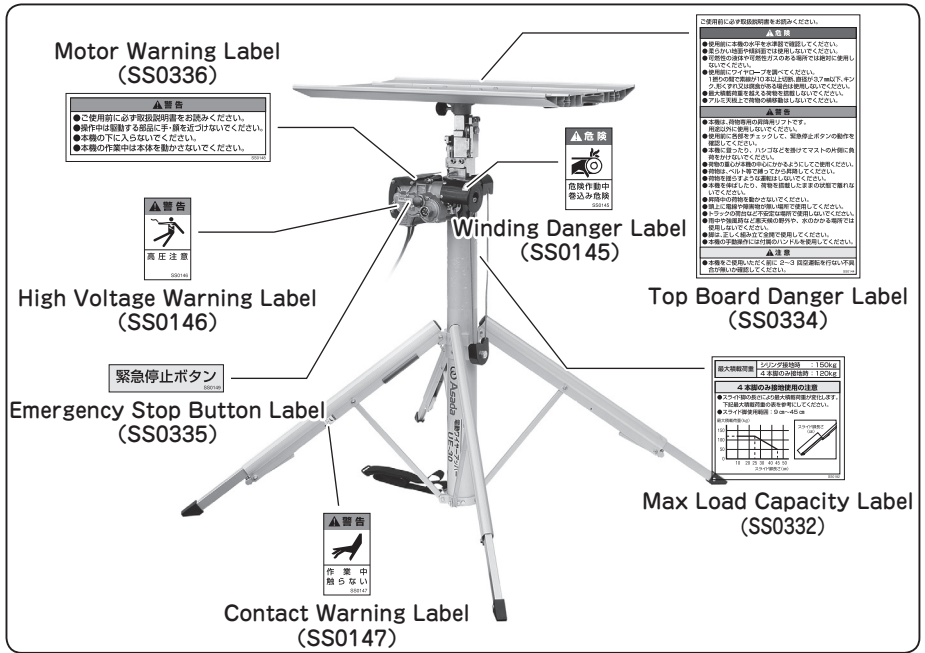


Explaining with model UE-30 on this instruction manual.

ELECTRIC WIRE LIFT

Positions of warning label

- Please contact us when the labels get dirty or come off and difficult to read.
- Please stick labels on the same place.



Specification

Models		UE-30	UE-33C	UE-37	UE-40C
Code No.		UE301	UE331	UE371	UE401
Power Supply		1 phase 220-240V 50/60 Hz			
Hoisting Time (no load) (in seconds)		UP 24 / DOWN 23		UP 40 / DOWN 35	
Max Load Capacity	With Cylinder	150 kg	120 kg	120 kg	120 kg
	With 4 legs	120 kg	N/A	100 kg	N/A
Height (Maximum)		3040 mm	3265 mm	3755 mm	3970 mm
Height (Minimum)		1090 mm	1193 mm	1155 mm	1240 mm
Measurement (Aluminum Board)		745 × 435 mm			
Measurement (Between Legs)		1010 × 1030 mm	1120 × 1220 mm	1110 × 1110 mm	1150 × 1150 mm
Dimension (Storage)		310 × 250 × 1075 mm	330 × 230 × 1170 mm	310 × 250 × 1135 mm	310 × 260 × 1220 mm
Weight		26 kg	29 kg	31 kg	34 kg
Noise		95 dB			
Controller Cord		3m		4m	
Cabtyre Cord		2.8m			

ELECTRIC WIRE LIFT

Standard Accessories

Code No.	Models	UE-30	UE-33C	UE-37	UE-40C
UE3002	Electric Wire Lift UE-30	○			
UE3302	Electric Wire Lift UE-33C		○		
UE3702	Electric Wire Lift UE-37			○	
UE4002	Electric Wire Lift UE-40C				○
UE3079	Extension Adaptor		○		○
UE3003	Aluminum Plate	○	○	○	○
UE3005	Manual Handle	○	○	○	○
UE3004	Cover for Aluminum Plate	○	○	○	○
IM0444	Instruction Manual	○	○	○	○

Optional Accessories

Code No.	Models	UE-30	UE-33C	UE-37	UE-40C
UE3079	Extension Adaptor ※	○		○	
UE3098	Casters Set ※	○		○	

※ : Maximum load capacity will vary when using the lift with optional accessory.
Use the lift referring to P11 for Maximum load capacity.

ELECTRIC WIRE LIFT

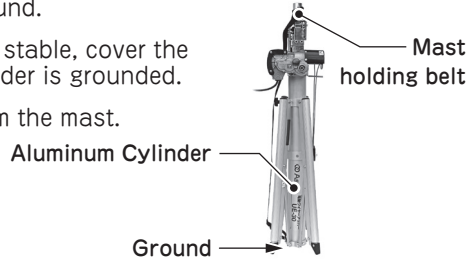
PREPARATION

Assembling

- ① Set the lift on a flat and solid ground.

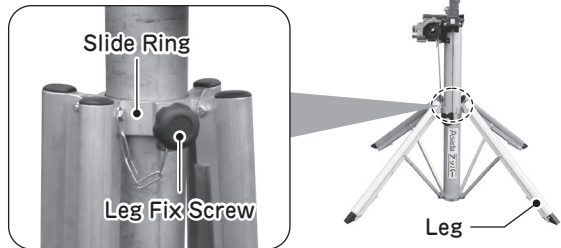
In case the setting position is not stable, cover the position where the aluminum cylinder is grounded.

- ② Remove the mast holding belt from the mast.



- ③ Loosen the leg fix screw of the slide ring and open the legs.

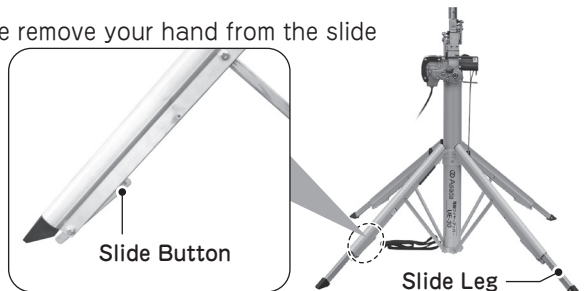
- ④ Once fully opened legs, tighten the leg fix screw.



- ⑤ Push the slide buttons and make the legs longer.

Make each leg longer until each all of 4 legs are grounded. The length of slide legs should be shorter than upper second red mark from leg edge.

- ⑥ The slide leg is fixed once remove your hand from the slide button.



⚠ CAUTIONS

- ◆ Use the lift with opening legs full.

Set the legs correctly. Otherwise falling down may occur.

- ◆ Use the lift with grounding 4 legs.

Otherwise falling down may occur.

ELECTRIC WIRE LIFT

Horizontal Value

- ① A spirit level is on top of the mast.
- ② Check with the spirit level if the unit is vertical.
- ③ If the unit is not vertical, adjust the length of the slide legs to make the unit vertical.

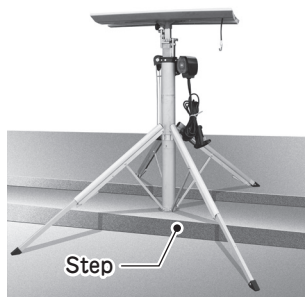


Use in Step (without caster model UE-30/37)

The slide legs are adjustable.

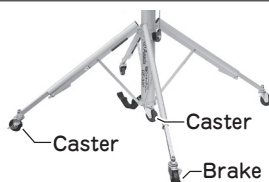
The unit can be set on even a step as right drawing.

Check if the unit is vertical after setting.



Caster (with caster model UE-33C/40C)

- ① Move the unit to set the position.
- ② Use brakes of the slider casters.



WARNING

◆ Use the unit on a flat place when using with casters.

Using with casters on a slope or step may cause a serious accident.

◆ The caster of cylinder must be grounded to use.

◆ Do not move the unit while loading the load.

◆ Use brakes of the slide leg casters while operating.

ELECTRIC WIRE LIFT

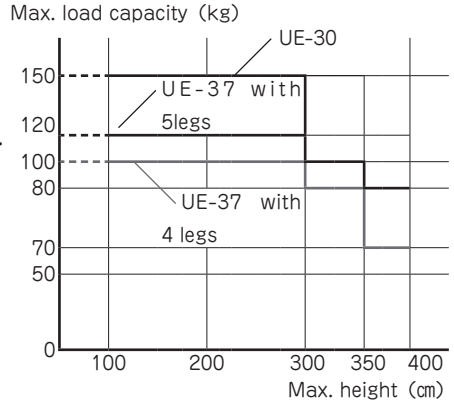
Maximum Load Capacity (without caster model UE-30/37)

Maximum load capacity varies by following.

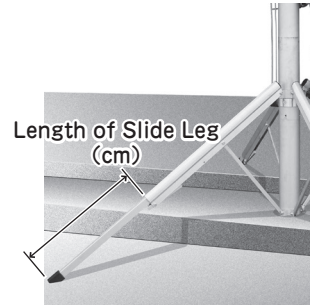
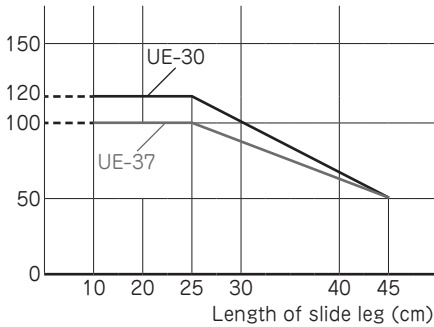
- Max. height (including extension adaptor)
- Length of slide legs
- Existence of casters

Use the unit within the limit of maximum load capacity as right chart under maximum height.

In case of operation with only 4 legs grounded and cylinder not grounded, maximum load capacity is as right chart and below chart. Maximum load capacity also varies by the length of slide legs. The length of slide legs should be 9cm- 45cm (the length between two red marks on 9cm and 45cm.). Refer to below chart for maximum load capacity depending on length of slide legs.



Max. load capacity (kg)

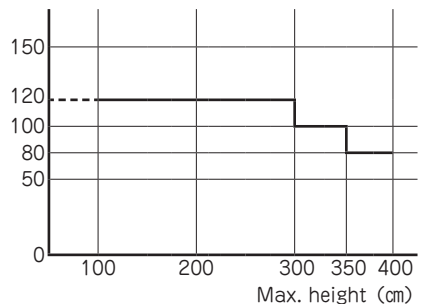


Maximum Load Capacity (with caster model UE-33C/40C)

Maximum load capacity with casters is 120kg.

Use the unit within the limit of maximum load capacity as right chart.

Max. load capacity (kg)



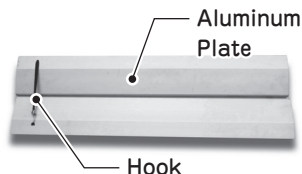
⚠ WARNING

- ◆ **The caster of cylinder must be grounded to use.**
Without grounded the caster of cylinder, the unit cannot operate.

ELECTRIC WIRE LIFT

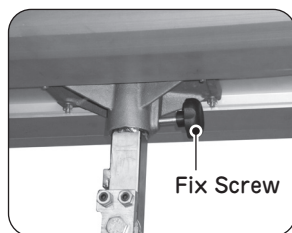
Aluminum Plate

- ① Remove the hook holding the aluminum plate.
- ② Open the aluminum plate.
- ③ Set the aluminum plate on top of the mast edge and fix it with the fix screw for aluminum plate.



⚠ WARNING

◆ Fully tighten the fix screw for the aluminum plate. Otherwise the aluminum plate will rotate and the load will fall down.



- ④ In case the aluminum plate has to be covered, use the cover for aluminum plate and put the load on it.



Extension Adaptor

An extension adaptor is included in UE-33C and UE-44C as one of standard accessories.

- ① Set the extension adaptor on top of the mast.
- ② Fix it by tightening the fix screw.
- ③ Set the aluminum plate on top of the extension adaptor.
- ④ Fix the aluminum plate by tightening the fix screw.



UE-33C UE-40C Height

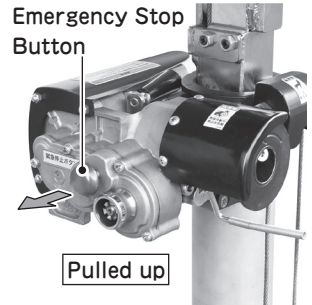
Item		UE-33C	UE-40C
Height (max.)	With Extension Adaptor	3265 mm	3970 mm
	W/O Extension Adaptor	(3133 mm)	(3838 mm)
Height (min.)	With Extension Adaptor	1325 mm	1372 mm
	W/O extension adaptor	(1193 mm)	(1240 mm)

ELECTRIC WIRE LIFT

Emergency Stop Button

- ① Emergency Stop Button is equipped into the lift.

Make sure that the emergency stop button is pulled up.



Power Supply

Plug into the outlet 220V -240V 50/60Hz.

ELECTRIC WIRE LIFT

OPERATION

⚠ WARNING

◆ **Do not use extension cord except when it is necessary.**

Using an inappropriate extension cord may cause of fire, getting electric shock or damage to the unit. In case of necessity of using an extension cord for outside work, use a cord which is a length of 20m or less and wire diameter of 2.0mm² or more.

Lift Up and Down

For lift up and down, pull the trigger of the remote controller after shift the selecting lever to [UP] or [DOWN] mark side.

Lift up: Shift the selecting lever to [UP] mark side of the remote controller and pull the trigger to lift up.

Down: Shift the selecting lever to [DOWN] mark side of the remote controller and pull the trigger to down.

The trigger is variable speed control.

The lift moves slowly with pulling the trigger slightly.
The lift moves faster with pulling the trigger strongly.



⚠ WARNING

◆ **Do not ride on the unit. This unit is not for a ride.**

Do not lift people and animal.

◆ **Do not use the unit in strong or gusty winds, or in the rain.**

It may cause damage on load or an injury by sudden drop.

⚠ CAUTION

◆ **Use the unit always with the aluminum plate.**

The mast never go down without the aluminum plate and the wire will get tangled and get damage.

ELECTRIC WIRE LIFT

Emergency Stop

For the emergency case, push the emergency stop button.

The unit will stop immediately regardless of operation for lift up or down.

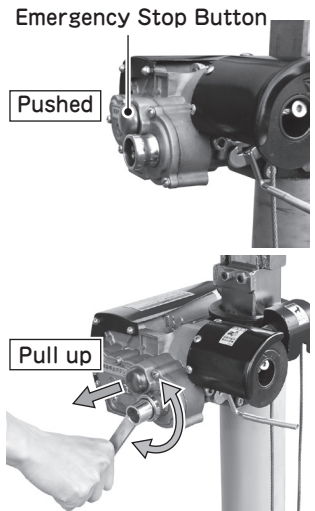
The aluminum plate is kept to the same position when the unit is stopped.



Release from Emergency stop condition.

Pull up the emergency stop button.
In case emergency stop button cannot be pulled up,

- ① Unplug the unit.
- ② Mount the manual handle on and turn it left or right.
- ③ Pull up the emergency stop button with the opposite hand.
- ④ The emergency stop button can be pulled up.
- ⑤ In case of cannot pull up the emergency stop button even with ② - ④ procedure, remove the manual handle from the unit and store at its fixing hook.
- ⑥ Plug the unit.
- ⑦ Set switch select the lever of the remote controller at "UP" or "DOWN" and turn on just a moment.
- ⑧ Confirm that the motor is stopped completely and pull the Emergency Stop Button.



⚠ WARNING

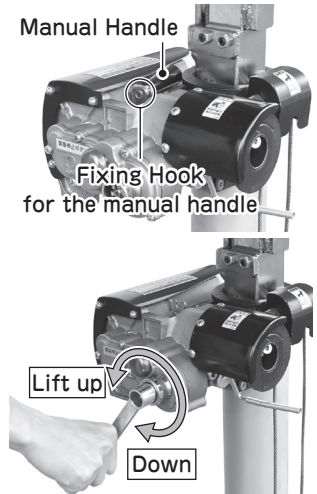
- ◆ The manual operation must be done with the unit unplugged.
- ◆ Do not operate the unit by motor during manual operation.
- ◆ Do not operate the unit using the remote controller with the manual handle at the manual shaft. The manual handle rotate at high speed and may hit the operator or the handle may fly and hit people nearby resulting in injury or hit object nearby resulting in damage.

ELECTRIC WIRE LIFT

Manual Operation

The unit can operate manually using the manual handle.

- ① Unplug the unit.
- ② Press the emergency stop button.
- ③ Remove the manual handle from its fixing hook.
- ④ Mount the manual handle on the manual shaft.
- ⑤ Turn left for lift up and right for down.
- ⑥ After the manual operation, remove the manual handle from the manual shaft and fix it to its fixing hook.
- ⑦ Pull up the emergency stop button.



Winding Protection Device

When keep on pulling the trigger of the remote controller with Selecting Lever at [Down], the mast become shorter to the lowest height and Winding Protection Device works with rumbling.

The winding protection device prevents the unit from lifting up by the winch winds the wire with reverse turn.

In case the winding protection device worked,

- ① Shift the select lever of the remote controller to [UP] mark direction and pull the trigger.
- ② The mast goes down slightly, then it goes up by keeping on pulling the trigger.

Make sure to shift the select lever to proper position, [UP] or [Down].



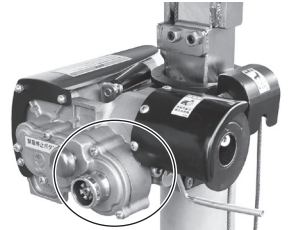
ELECTRIC WIRE LIFT

Overload Protection Device

The overload protection device works to prevent over loading.

The device works when the load is over approximately 150kg.

Once the device is worked, it rumbles. And the lifting movement is stopped. To restart, make the load lighter than the maximum load capacity.



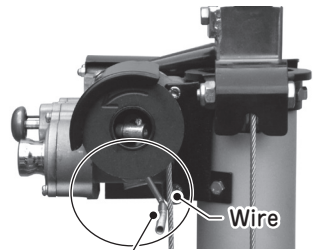
Overload Protection Device

Position of the Wire

At the operation to lower the mast, if the mast goes up after it is fully downed to the end. It means the wire is not at the correct position and the winding protection device does not work properly. Set the wire at its correct position.

Shorten the mast to the minimum height to loose the wire and unplug the unit. Set Winding Protection Lever at the position of the right picture. (Wire comes to the mast side.)

Then operate for downward and if the unit rumbles, the wire is at the correct position and the winding protection device works properly.

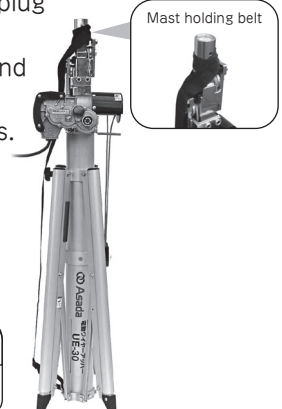


Winding Protection Lever

Correct Wire Position

Folding

- ① Make the mast down to the minimum height and unplug the unit.
- ② Loosen the fixing screw under the aluminum plate and remove the aluminum plate from the mast.
- ③ Hold the slide button and put the slide legs into legs.
- ④ Loosen the leg fix ring on the slide ring and fold the legs.
- ⑤ Tighten the leg fix ring on the slide ring again.
- ⑥ Set the mast holding belt onto the mast edge.



⚠ CAUTION

◆ Do not carry the unit at the mast holding belt.

ELECTRIC WIRE LIFT

MAINTENANCE & INSPECTION

- Inspect and clean the unit regularly as instructed below and perform correction or replacement timely.

⚠ WARNING

◆ Do not remodel the unit.

It leads to injury or death.

⚠ CAUTION

◆ Replace worn and damaged parts with the original parts.

Otherwise damage on the unit and injury may occur.

◆ Do not grease the wire.

Applying grease to the wire is prohibited due to deterioration of the wire by dirt and bad effect on operation.

In case of required, use silicon grease which is less influence to the wire.

Daily Inspection

① Check if any following damage on wire.

- More than 10 single pieces of the wire in 1 twist are cut off.
- Diameter of the wire becomes less than 3.7mm.
- Kink, fray, deformation
- Corrosion

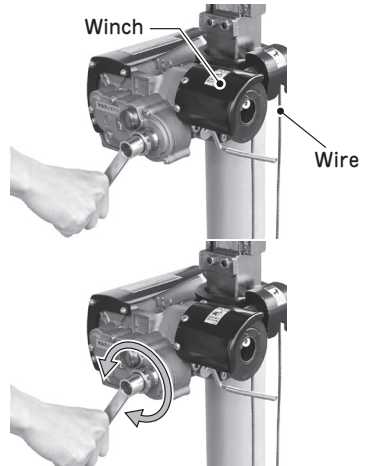
If any abnormal condition on the wire, do not use the unit with the wire.



ELECTRIC WIRE LIFT

② Check if the all bolts and nuts are tightened.

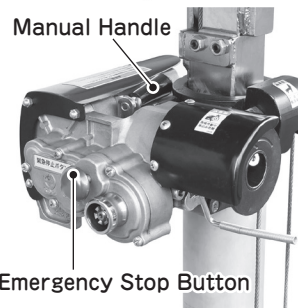
③ Check if the winch works correctly and the wire is not twined around the winch-drum. Also check if the wire is in correct position. (Refer to P17 for Position of the Wire)



④ Check if all legs are fixed to the body firmly and any bend, dent and scratch on cylinder, legs, legs-base, body and each part.

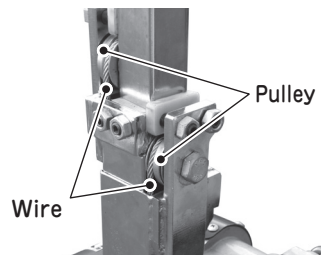


⑤ Check if the manual handle is fixed with the hook and any wear and bent on the handle.



⑥ Check if the emergency stop button is not worked (not pressed).

⑦ Check if any scratch (dent) on the pulley housing, which disturbs the pulley rotation.



⑧ Check if the wire is put in all pulley and the pulley rotates smoothly.

ELECTRIC WIRE LIFT

- ⑨ Check if the mast moves smoothly.
Check if any dust or rust on the slide part of the wire and apply silicon lubricant little.
- ⑩ Check if any abnormal condition on the casters or the slide legs.
Check if any defect, damage or warp on the casters and bearing. If any abnormal condition, replace the parts.
If any deformation on the slide leg, replace the slide leg.
- ⑪ Clean up the unit after use.
Clean up the unit with a soft cloth. In case the unit gets heavy dust, clean up the unit with a wet cloth which is wrung water out. After that, wipe the unit with a dry cloth.



6 Month Inspection

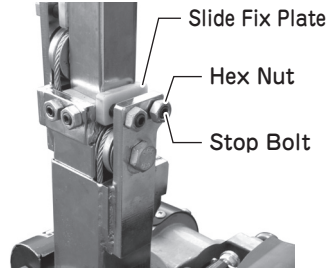
- ① Check if any kink, fray or deformation on the wire.
- ② Check if the winch works correctly, any damage on parts and any lack of parts.

ELECTRIC WIRE LIFT

How to Adjust Slide Fixing Plate

In case some gaps at the mast connection, adjust the slide fixing plate.

- ① Loosen the hex nut.
- ② Tighten the stop bolt.
- ③ Loosen the stop bolt by 90° and adjust the gap.
- ④ Tighten the hex nut to fix.
- ⑤ Check if the mast moves smoothly.
- ⑥ If the mast does not down, loosen the stop bolt more by 45° and adjust the gap.



Storage

- ① Storage condition

Storage temperature	-5°C ~ 45°C
Humidity	Less than 90% (no condensation)
Storage place	Indoor

- ② Store the unit in a flat place.
Do not put a heavy object on the unit. In case put something on the unit, put the unit into the carton box and follow the instruction on the carton box.
- ③ Store the unit where no vibration and risk for damage.
- ④ Store the standard accessories with the unit.
- ⑤ Restriction on storage period
Do not store the unit in an inappropriate condition.
Do not leave for over 3 months to prevent the unit from getting rust on the metallic parts or causing any other defect on the parts even though in an appropriate condition.

ELECTRIC WIRE LIFT

BEFORE REQUESTING REPAIR OR SERVICE

- Inspect the unit as below before requesting repair or service.
If the problem is not solved after an inspection, please contact us or authorized distributors for repair.
- If the unit got broken under improper usage or usage other than original application, the repair is not covered by warranty.

Condition	Possible cause	Solution
The mast is not lifted up	Over loading	Lifting up the load lighter than the capacity
	The center of the gravity of the load is not at the center of the aluminum plate	Keep the center of the gravity of the load at the center of the aluminum plate
	The roller of the mast does not rotate	Apply silicon oil
	Dust or obstacle on the roller of the mast	Remove dust or obstacle
	The pulley wheel does not rotate	Replace the pulley wheel if it gets scratch as it does not rotate smoothly
	Scratch on the wire	Replace the wire if it gets twisted, worn down and frayed
	Scratch on the mast	Replace the mast

Asada
ASADA CORPORATION

3-60, Kamiida, Nishi-Machi, Kita-Ku, Nagoya, Japan 462-8551

TEL +81-52-914-1062

FAX +81-52-914-1065

URL <http://www.asada.co.jp>

E-mail: trade@asada.co.jp

Code No. IM0444

Ver.03

A