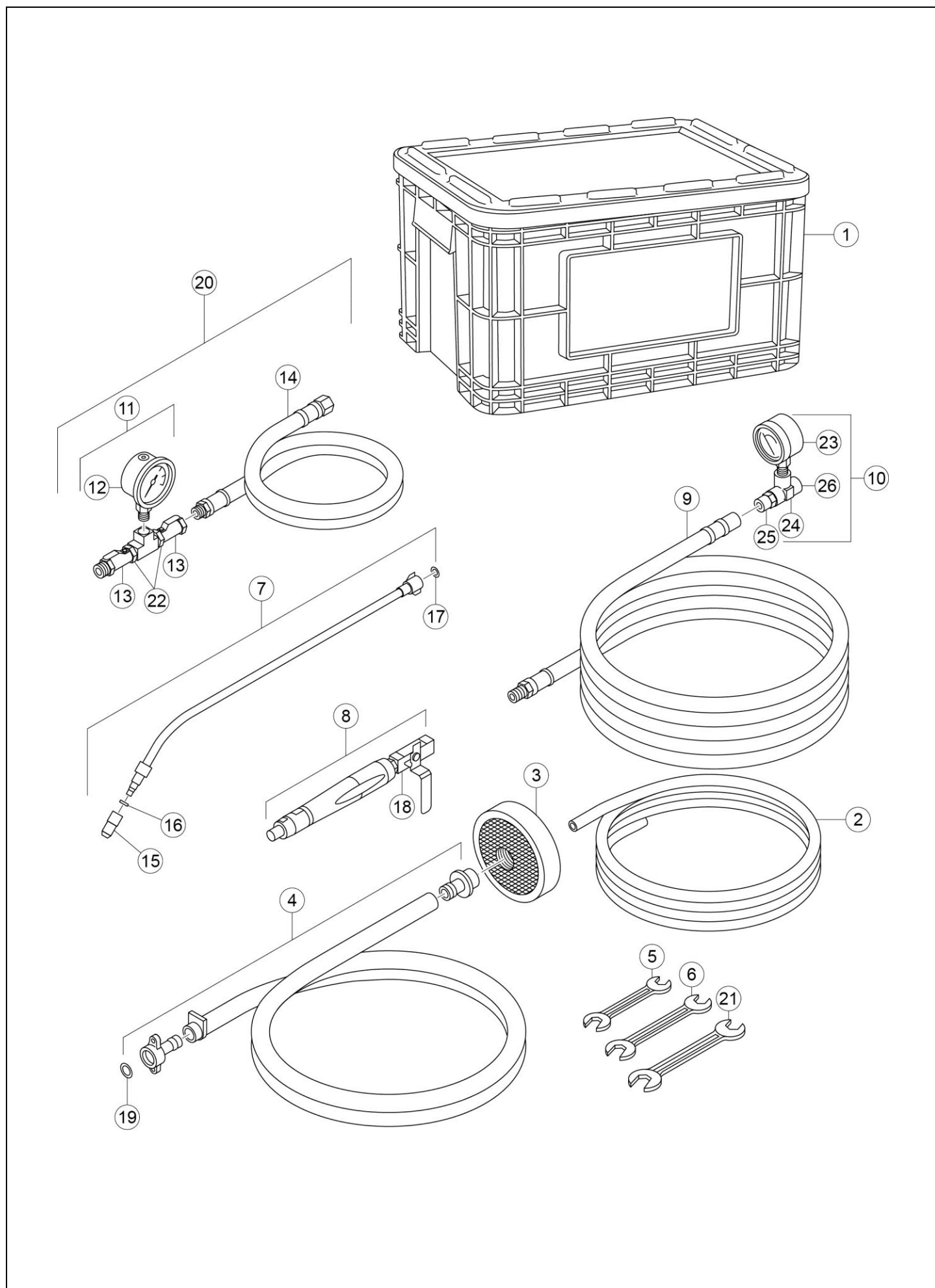


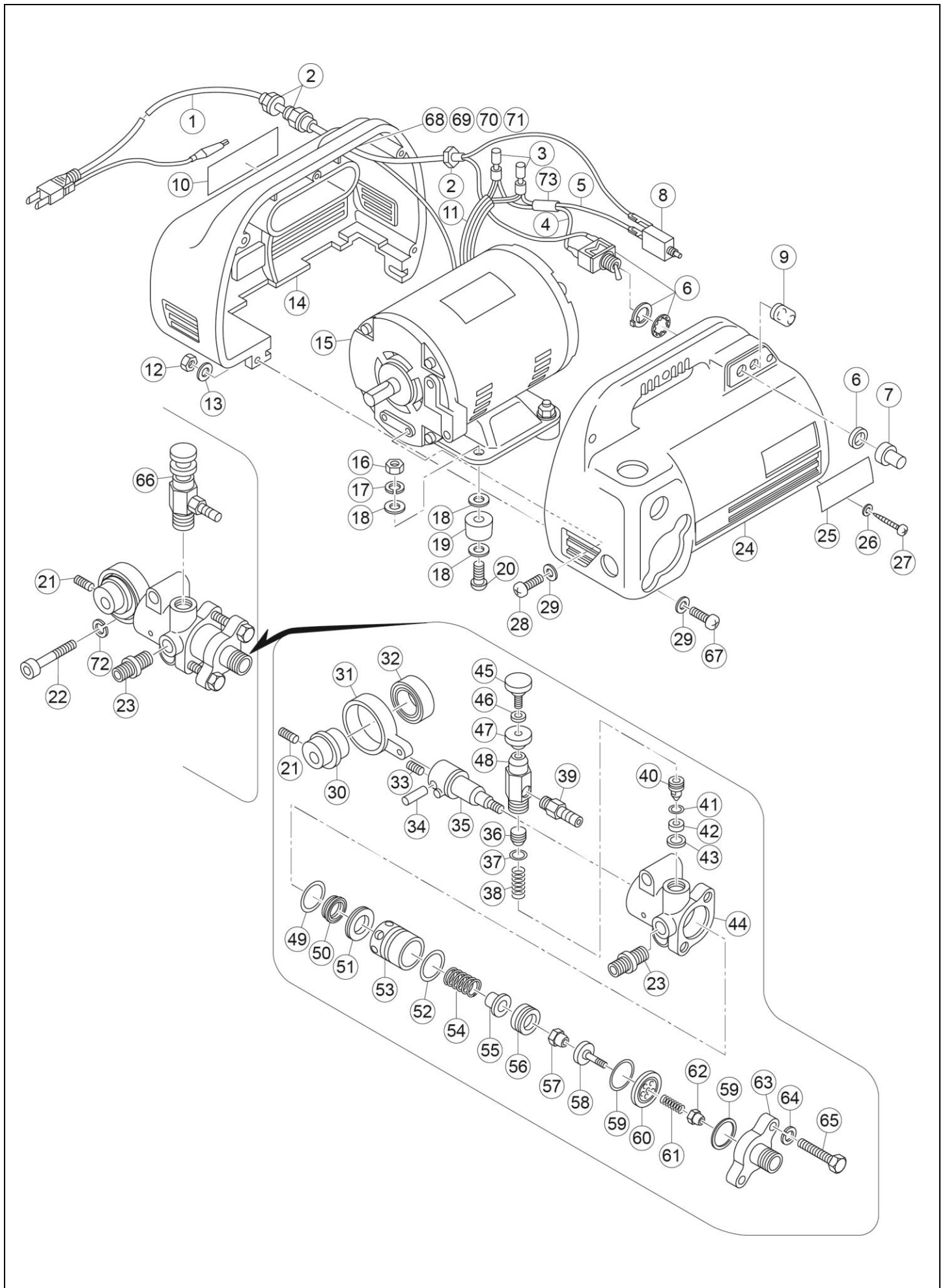
# ELECTRIC TEST PUMP EP440 HIGH PRESSURE CLEANER 440





# ELECTRIC TEST PUMP EP440 HIGH PRESSURE CLEANER 440

**Asada**  
Pump Unit



# ELECTRIC TEST PUMP EP440 HIGH PRESSURE CLEANER 440

 **Asada**  
Pump Unit

Ref.No.	Code No.	Parts Name	Qty	Remark
1	EP190	EP1 POWER CORD 110V Assy	1	
2	EP155	CORD CONNECTOR	1	
3	87778	TERMINAL CAP CE-5	2	
4	EP368	EP1 SWITCH CORD	1	EP149 ⇒ EP368 (2006.12)
5	EP369	EP1 THERMAL CORD	1	EP148 ⇒ EP369 (2006.12)
6	EP235	EP1 SWITCH 110V-240V	1	
7	EP152	RUBBER CAP	1	
8	EP153	RELAY SWITCH	1	
9	EP154	EP1 TERMAL RELAY CAP	1	
10	EP471	EP1 MACHINE PLATE TEST PUMP EP440	1	
10	EP425	EP1 MACHINE PLATE 440	1	
11	87693	UL TUBE (80mm)	1	EP156 ⇒ 87693 (2006.12)
12	81016	HEX NUT 6	1	
13	81155	PLAIN WASHER	1	
14	EP371	EP1 PUMP COVER R	1	EP112 ⇒ EP371 (2006.12)
15	EP173	EP1 MOTOR ASSY. 110V 200W	1	
15	EP177	EP1 MOTOR ASSY. 220V 200W		
15	EP181	EP1 MOTOR ASSY. 240V 200W		
16	81016	HEX NUT 6	4	
17	81118	SPRING WASHER M6 (CHROM)	4	
18	81155	PLAIN WASHER	12	
19	EP340	RUBBER LEG	4	EP147 ⇒ EP340 (1997)
20	82204	PAN HEAD SCREW M6X16L PLATING	4	
21	80368	HEX SCREW 8x10	1	
22	80183	HEX SOCKET SCREW M8X50L BLACK	2	
23	EP318	EP2 NIPPLE 1/4"	1	
24	EP111	EP1 PUMP COVER F	1	
25	EP192	EP1 ASADA SEAL	1	
26	81195	SPRING WASHER M4	4	
27	82958	PAN HEAD TAPPING SCREW 3.5X22	4	
28	82213	PAN-HEAD SCREW M16x15	4	
29	81155	PLAIN WASHER	5	
30	EP196	ECCENTRIC RING	1	
31	EP125	CONROD SET	1	
32	84156	BALL BEARING 6005ZZ	1	
33	80354	HEX SCREW 5x8	1	
34	EP353	PARALLEL PIN	1	
35	EP126	PLUNGER SET	1	
36	EP133	RELIEF SPRING SUPPORT	1	
37	84023	O-RING P-7	1	
38	EP194	SPRING FOR RELEIF VALVE	1	
39	EP136	EP1 HOSE NIPPLE	1	
40	EP131	EP1 RELIEF VALVE	1	
41	EP239	RELIEF VALVE SEAT	1	
42	84031	R-RING P-9	1	
43	EP129	RELIEF PACKING	1	
44	EP121	EP1 PUMP ASSY.	1	
45	EP341	KNOB FOR RELEAF VALVE	1	
46	81128	PLAIN WASHER 5 SUS	1	
47	EP243	RELIEF NUT	1	
48	MP197	CYLINDER FOR RELIEF VALVE	1	EP238 ⇒ MP197 (1999)
49	84017	O RING S-30	1	
50	EP115	PLUNGER PACKING	1	
51	EP232	PACKING COLLAR	1	
52	84017	O RING S-30	1	
53	EP228	CYLINDER SUS 304 34 X 6.4T	1	

