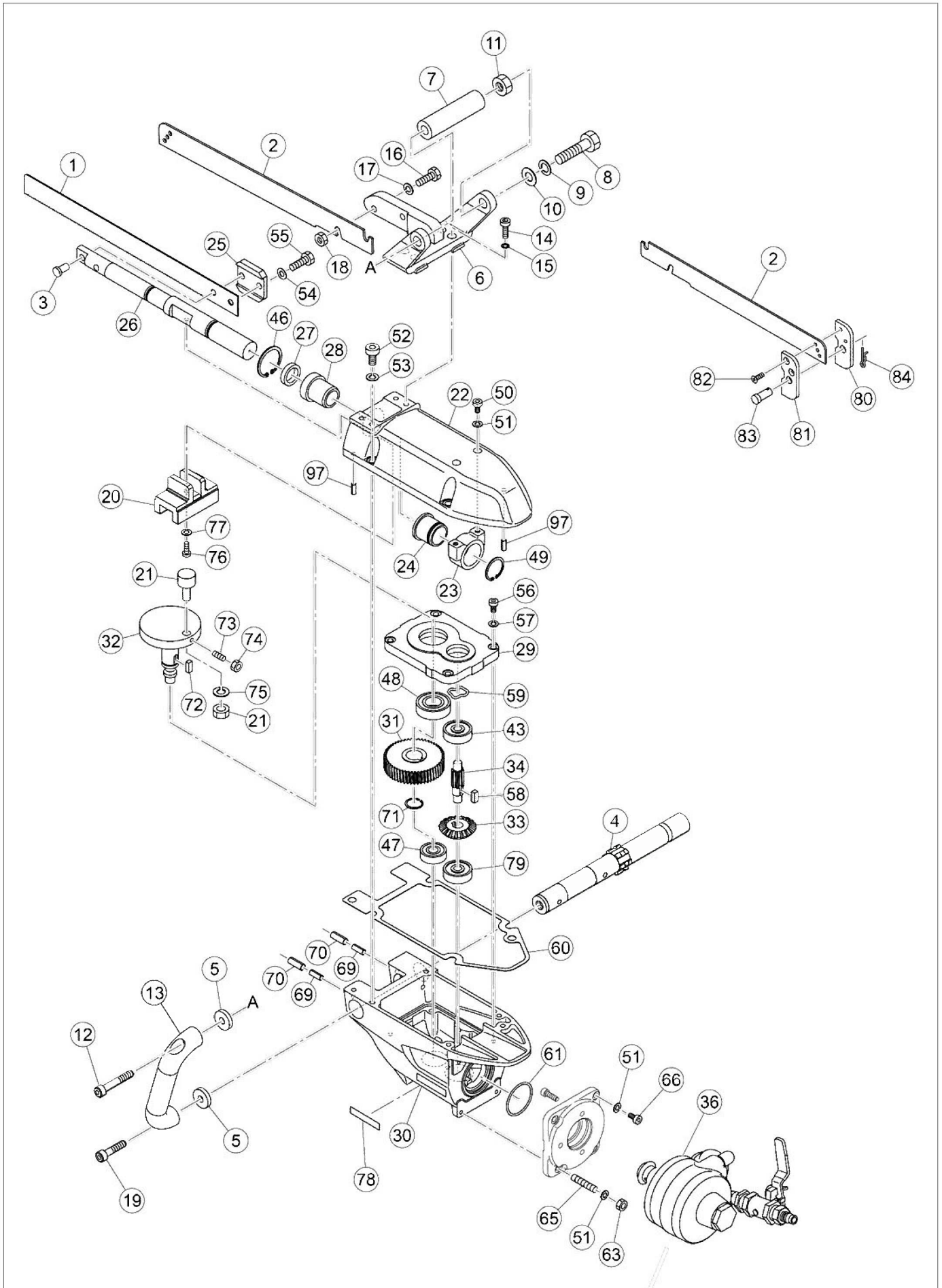


PIPE SAW PIPE SAW 400SA

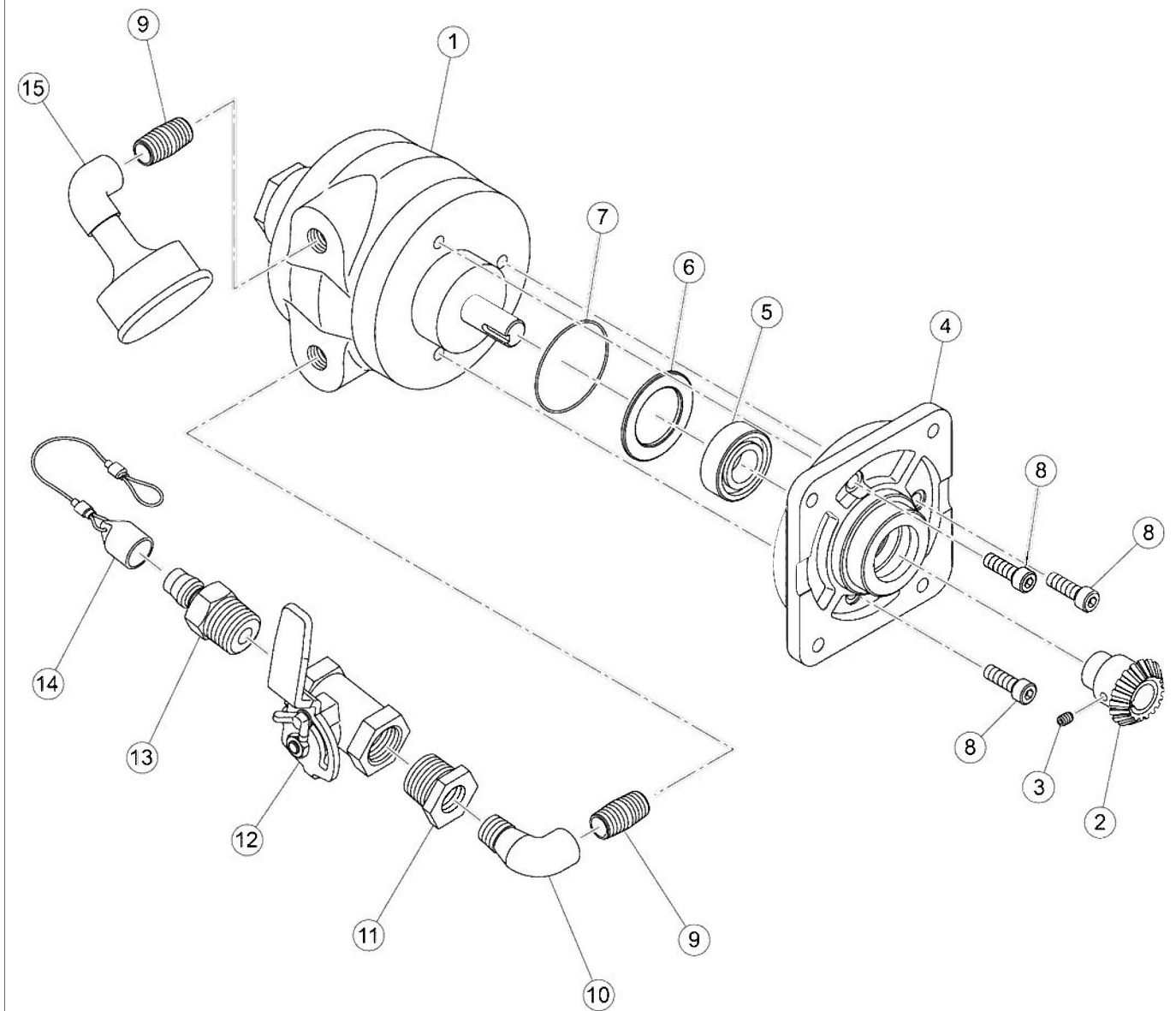


PIPE SAW

PIPE SAW 400SA

Ref.No.	Code No.	Parts Name	Qty	Remark
1	70311	SAW BLADE HSS 380mmx8T	1	FOR 8"
	70279	SAW BLADE HSS 490mmx8T	1	FOR 12"
2	PS302	GUIDE PLATE 200A	1	FOR 8"
	PS295	GUIDE PLATE 300A	1	FOR 12"
3	57104	PIN PS300, 350	1	
4	PS533	ROTARY SHAFT	1	
5	PS524	HANDLE COLLAR	2	
6	PS523	GUIDE BRACKET	1	
7	PS525	GRIP	1	
8	80076	HEX BOLT 12x50	1	
9	81116	SPRING WASHER M12 BLACKENING	1	
10	81160	WASHER 12	1	
11	81025	HEX NUT 12-(3)	1	
12	80183	HEX BOLT M8x50L	1	
13	PS522	HANDLE	1	
14	80166	STOP BOLT 6x20 (80116)	4	
15	81250	SPRING WASHER M6	4	
16	80037	HEX BOLT 8x25	2	
17	81114	SPRING WASHER 8	2	
18	81067	U NUT M8	2	
19	80180	STOP BOLT 8x35	1	
20	PS273	BLADE GUIDE HOLDER PS380	1	
21	84185	CAM FOLLOWER PS300, 350	1	
22	PS517	TOP COVER	1	
23	PS270	BEARING R	1	
24	PS345	BEARING R METAL	1	
25	58107	BLADE HOLDER PS300, 350	1	
26	PS272	BLADE GUIDE	1	
27	70640	PACKING	1	
28	PS271	BEARING F	1	
29	PS535	GEAR COVER	1	
30	PS559	BODY	1	
31	PS514	PS380SP SECOND AXIS REDUCTIONG GEAR	1	
32	PS513	DRIVE SHAFT	1	
33	PS557	PS380SP FIRST AXIS REDUCTIONG GEAR	1	
34	PS556	FIRST SHAFT PINION	1	
36	70823	AIR MOTOR	1	
43	84162	BALL BEARING 6300ZZ	1	
46	83505	C SNAP RING H-36	1	
47	84116	BALL BEARING 6201ZZ	1	
48	84167	BALL BEARING 6004ZZ	1	
49	83309	C SNAP RING S-30	1	
50	82320	BUTTON BOLT 6 x 16	2	
51	81250	SPRING WASHER M6	6	
52	80178	STOP BOLT M8x25L	4	
53	81249	SPRING WASHER M8	4	
54	81151	WASHER M8	1	
55	80117	HEX BOLT M8 x 25L	1	
56	80167	STOP BOLT 6x25	4	
57	81113	SPRING WASHER	4	
58	83278	PARALLEL KEY 5 x 5 x 15	1	
59	81161	CORRUGATED WASHER BW6202	1	
60	PS516	PACKING	1	
61	84508	O RING S-50	1	
63	81066	HEX NUT M6	1	
65	80412	HEX SCREW 6x25	1	
66	80166	STOP BOLT 6x20 (80116)	3	

PIPE SAW PIPE SAW 400SA



PIPE SAW PIPE SAW 400SA

