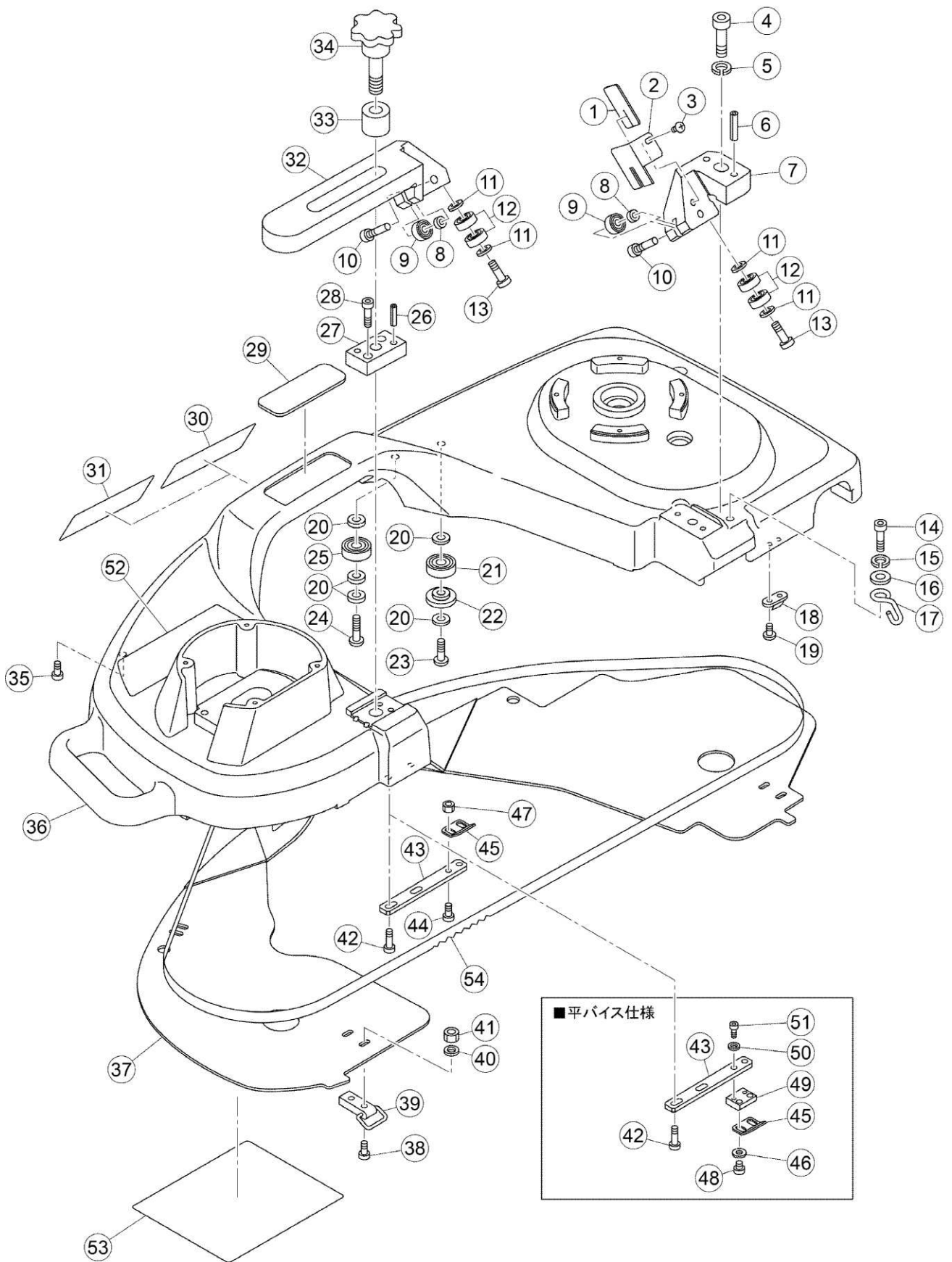


BAND SAW BAND SAW BEAVER 8, 8F



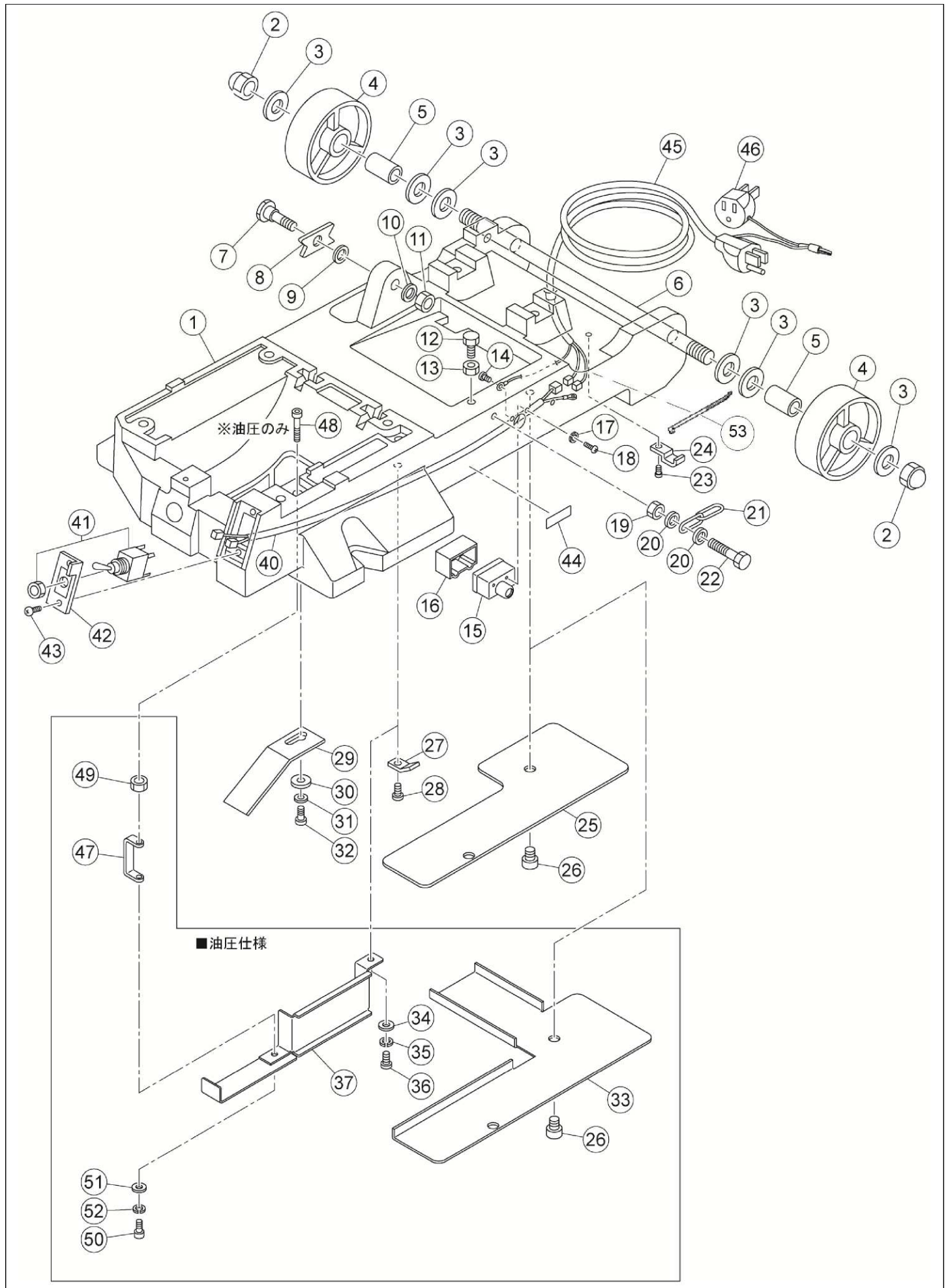
BAND SAW BAND SAW BEAVER 8, 8F



Blade Guide & Frame

Ref.No.	Code No.	Parts Name	Qty	Remark
1	BS571	SCRAPER RUBBER	1	
2	BS632	SCRAPER PLATE	1	
3	82181	PAN-HEAD SCREW 6 x 10	1	
4	80192	STOP BOLT 10x40	1	
5	81120	SPRING WASHER 10R	1	
6	83082	R-PIN 5x35L	2	
7	BS567	BLADE GUIDE (R)	1	
8	70149	WASHER 5	2	
9	84146	BALL BEARING 605ZZ	2	
10	BS569	GUIDE PIN	2	
11	70151	WASHER 6	16	
12	84154	BALL BEARING 606ZZ	16	
13	BS628	GUIDE PIN	8	
14	80177	STOP BOLT 8x20	1	
15	81114	SPRING WASHER 8	1	
16	81147	WASHER	1	
17	BS524	CHAIN HOOK	1	
18	BS523	BACK PLATE HOOK	2	
19	82181	PAN-HEAD SCREW 6 x 10	4	
20	81152	WASHER 10	22	
21	84170	BALL BEARING 6200ZZ	6	
22	BS526	BLADE WASHER	2	
23	82302	BUTTON SCREW 10 x 30	2	
24	82310	HEX SOCKET BUTTON BOLT M10X25L	6	
25	84162	BALL BEARING 6300ZZ FOR BS170	2	
26	83023	R-PIN 5 X 25	2	
27	BS609	B222 KEY	1	
28	80165	STOP BOLT 6x18	2	
29	SS0316	ASADA LABEL	1	
30	SS0344	BB8 LABEL	1	
31	SS0345	BB8F LABEL	1	
32	BS572	BLADE GUIDE F	1	
33	BS573	COLLAR	1	
34	70495	GUIDE KNOB 12 x 50	1	
35	BS667	BOLT FOR BACK PLATE BS222	2	
36	BB830	BB8 FRAME	1	
36	BB830H	BB8 FRAME HYDRAULIC	1	
37	BB831	BB8 BACK PLATE	1	
38	82219	PAN-HEAD SCREW 4 x 6	4	
39	70474	STOPPER C12-2-2	2	
40	81150	WASHER M4	4	
41	81028	HEX NUT M4	4	
42	80158	HEX BOLT 5x15	2	
43	BS528	DOCK PLATE	1	
44	80201	STOP BOLT M5x10	2	
45	BS529	DOCK	1	
46	81238	WASHER M5 GILT SMALL	1	
47	81069	HEX NUT 5	2	
48	80638	HEX SOCKET BOLT M5X5L	2	
49	BB839	BB8 DOCK BLOCK	1	
50	81222	PLAIN WASHER M4	2	
51	80151	HEX SOCKET BOLT M4X8L	2	
52	SS0348	CUTTING SPEED CHART LABEL SPRING	1	
52	SS0433	CUTTING SPEED CHART LABEL HYDRAULIC C	1	SS0349⇒SS0433 (2018.4)
53	SS0350	BB8 CAUTION LABEL	1	
54				

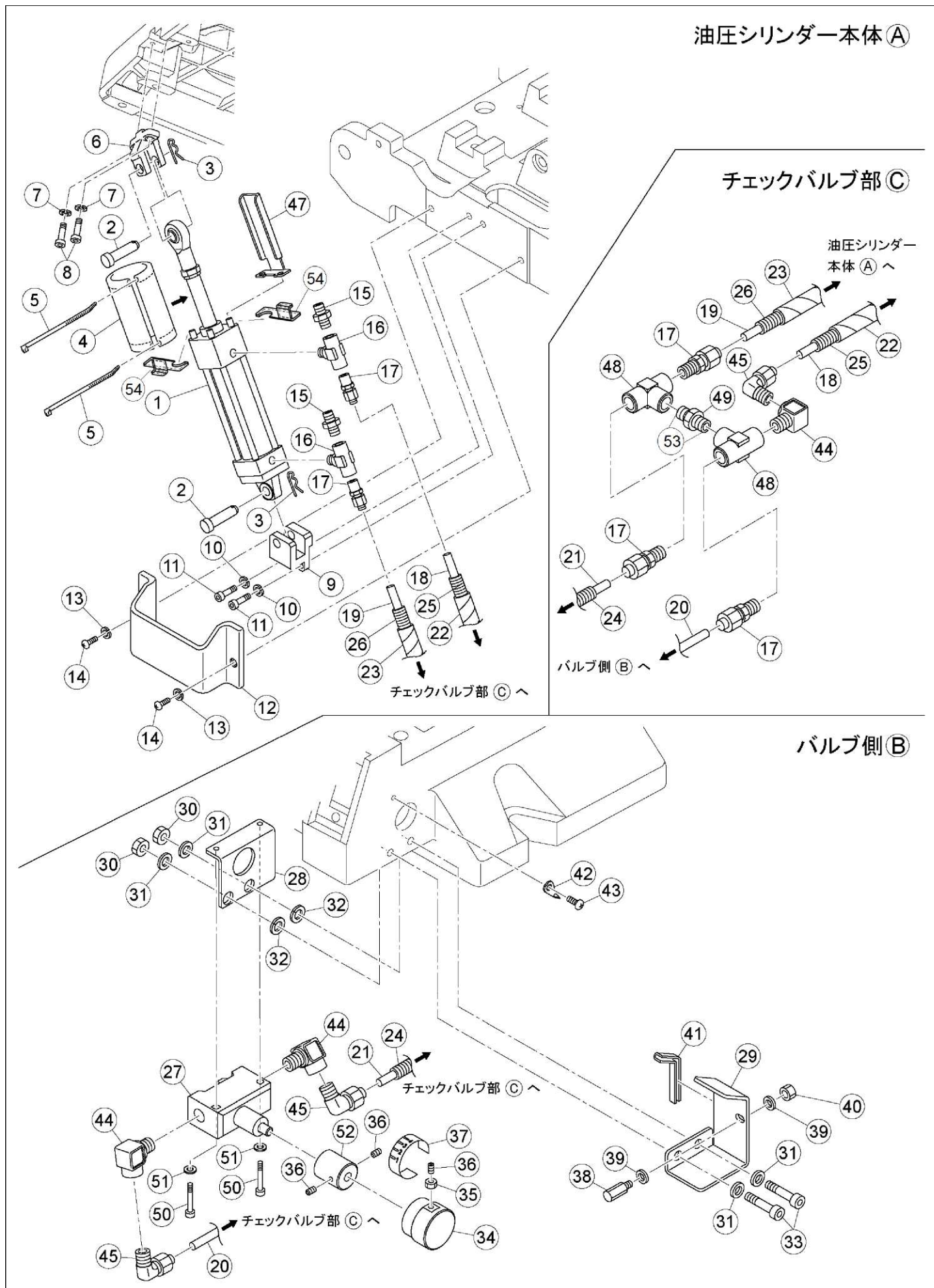
BAND SAW BAND SAW BEAVER 8, 8F



BAND SAW

BAND SAW BEAVER 8, 8F

Ref.No.	Code No.	Parts Name	Qty	Remark
1	BB832	BB8 VISE BODY	1	
1	BB832H	BB8 VISE BODY HYDRAULIC	1	
2	81080	HEX CAP NUT M16 PLATING	2	
3	81153	PLAIN WASHER M16 PLATING	6	
4	BS291	B185 CASTER	2	
5	BS292	B185 CASTER COLLAR	2	
6	BS566	B222 CASTER SHAFT	1	
7	BS557	B222 STOPPER SHAFT	1	
8	BS556	B222 STOPPER	1	
9	BS558	B222 STOPPER COLLAR	1	
10	81149	PLAIN WASHER M10 BLACKENING	1	
11	81041	U-NUT M10 (1) PLATING	1	
12	70666	STOPPER B-SVB-M1040	1	
13	81024	HEX NUT 10	1	
14	88899	PAN HEAD SCREW M6X8L BRASS	1	
15	87707	PROTECTOR 8A OR-627 (100V)	1	
16	BS285	PROTECTOR 3.5A OR-627 (220V)	1	
17	81195	PROTECTOR COVER	2	
18	82215	SPRING WASHER M4 BLACKENING	2	
19	81063	PAN HEAD SCREW M4X12L BLACKENING	1	
20	81147	HEX NUT M8 (3) BLACKENING	2	
21	70219	PLAIN WASHER M8 BLACKENING	1	
22	45473	CHAIN FOR B170	1	
23	82201	STOP BOLT	1	
24	BS627	PAN HEAD SCREW M6X10L PLATING	1	
25	BS559	B222 CORD HOOK A	1	
26	80602	BB8 CORD PLATE	2	
27	BS602	HEX SOCKET BOLT M10X12L BLACKENING	1	
28	82201	PAN HEAD SCREW M6X10L PLATING	1	
29	BS607	B222 SWITCH BACK PLATE	1	
30	81147	PLAIN WASHER M8 BLACKENING	1	
31	81155	PLAIN WASHER M6 PLATING	1	
32	82201	PAN HEAD SCREW M6X10L PLATING	1	
33	BB833	BB8 CORD PLATE HYDRAULIC	1	
34	81225	PLAIN WASHER M6 (P)BLACKENING	21	Quantity change (2018.4)
35	81113	SPRING WASHER M6 BLACKENING	21	Quantity change (2018.4)
36	80162	HEX SOCKET BOLT M6X12L BLACKENING	1	
37	BB834	BB8 SWITCH PLATE HYDRAULIC	1	
38	80173	STOP BOLT 6x55	4	Delete (2018.4)
39	83075	R-Pin	4	Delete (2018.4)
40	BB246	BB10 SWITCH CORD	1	
41	87161	SNAP SWITCH WD1001	1	
42	34417	B125 SWITCH PLATE	1	
43	82201	PAN HEAD SCREW M6X10L PLATING	2	
44	BS341	RESET BUTTON STICKER (JAPANESE)	1	
45	BS585	B222 POWER CODE (INCLUDING No.46)	1	
45	BS416	RESET BUTTON STICKER (ENGLISH)	1	
46	87137	ADAPTER	1	
47	BB850	SWITCH PLATE STAY C	1	Add (2018.4)
48	80206	STOP BOLT 5x30	1	Add (2018.4)
49	81019	HEX NUT 6	1	Add (2018.4)
50	80157	STOP BOLT 5x12	1	Add (2018.4)
51	81267	WASHER M5	1	Add (2018.4)
52	81125	SPRING WASHER 5	1	Add (2018.4)
53	71039	INSULATION LOCK AB150W	1	Add (2018.12)

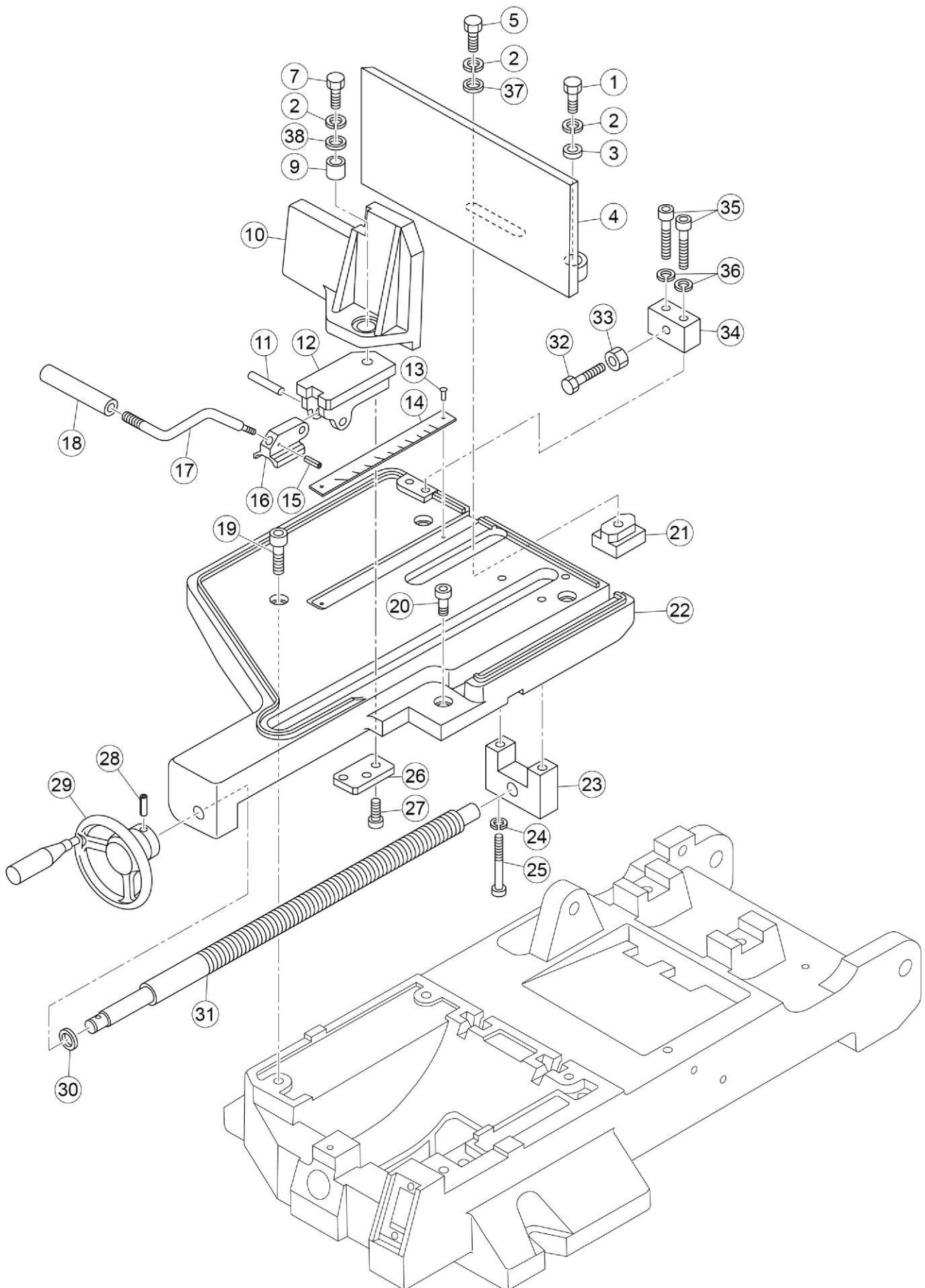


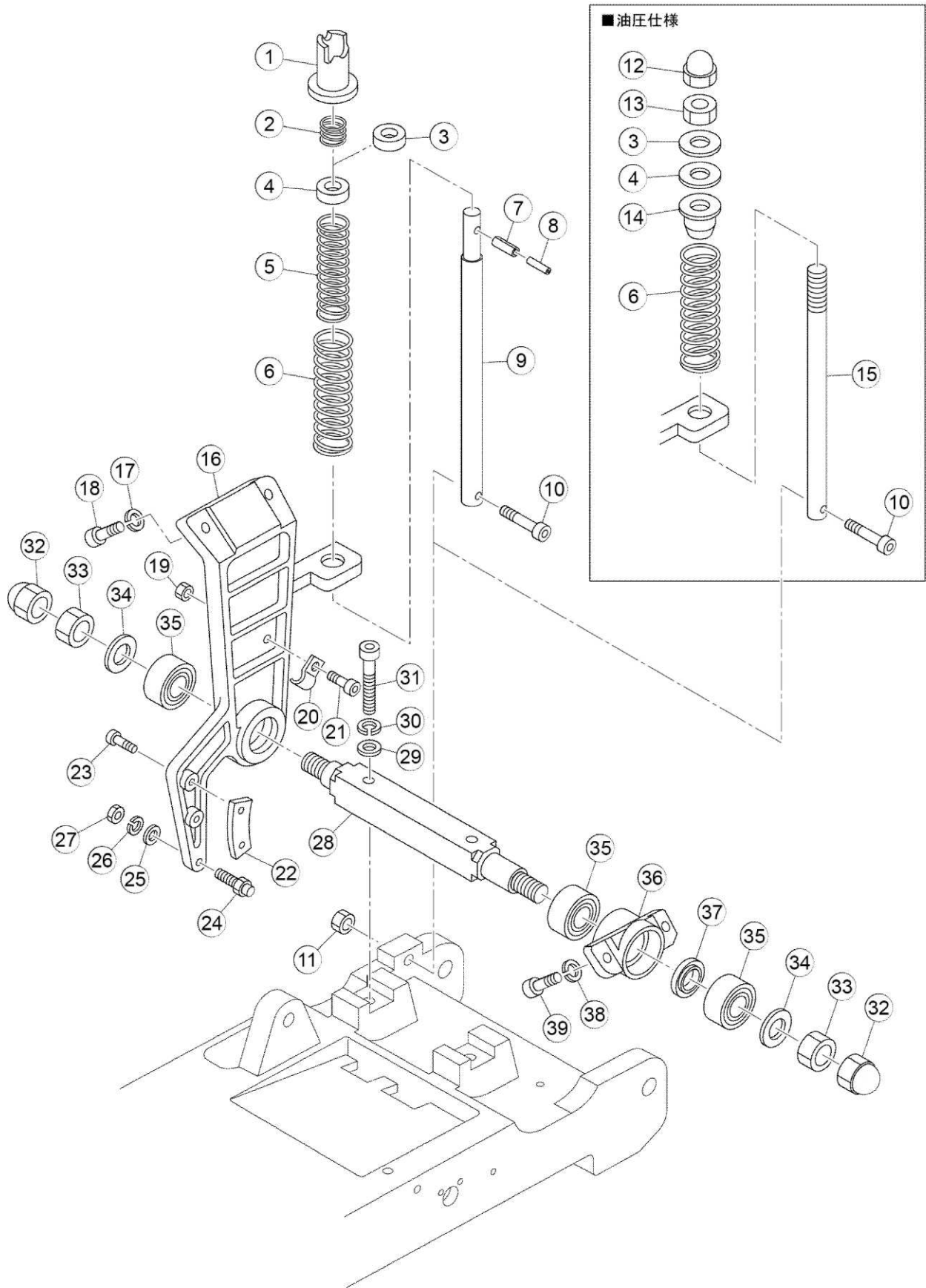
BAND SAW

BAND SAW BEAVER 8, 8F

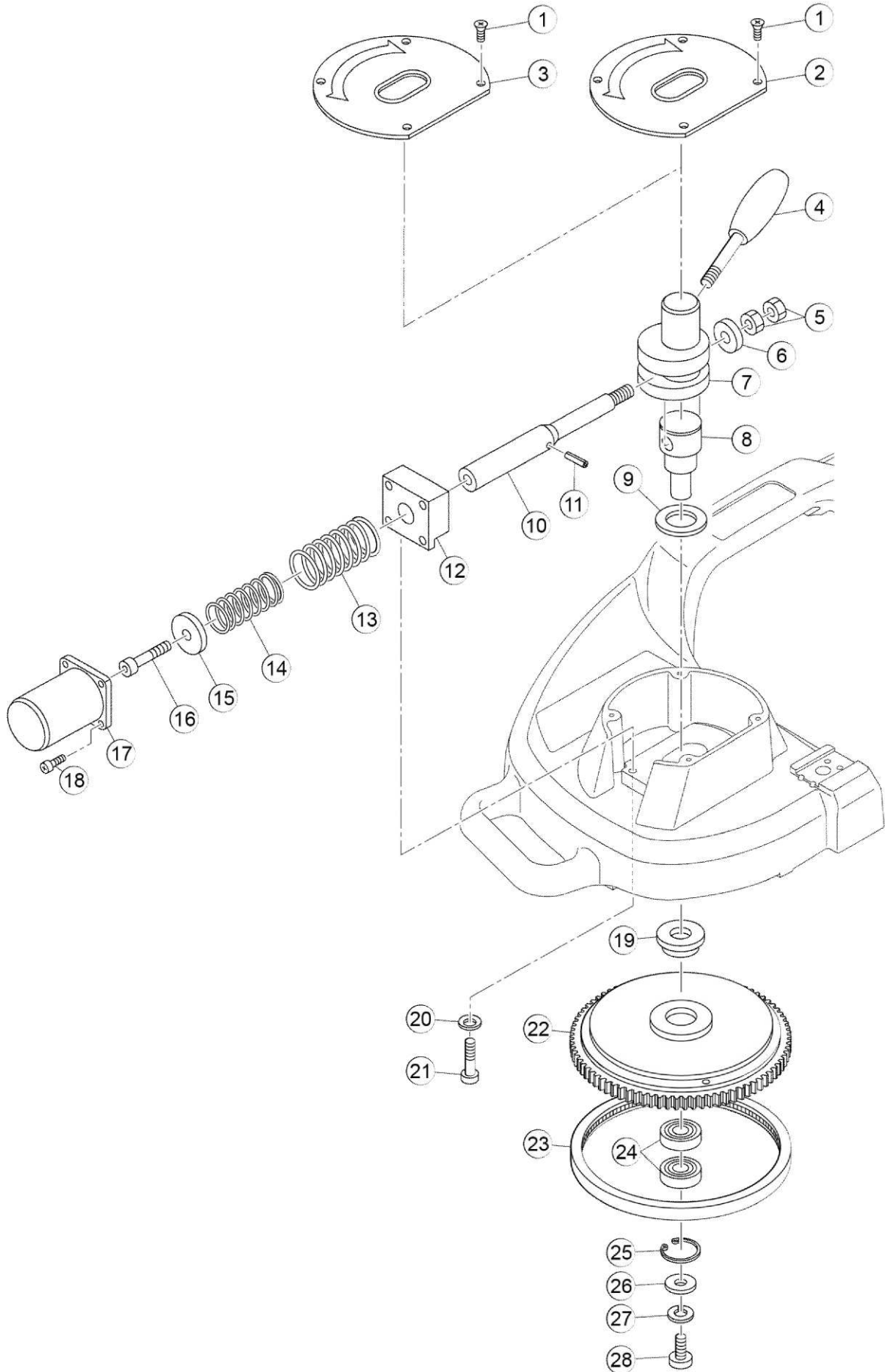
Ref.No.	Code No.	Parts Name	Qty	Remark
1	BB843	BB8 HYDRAULIC CYLINDER C	1	BB841⇒BB843 (2018.4)
2	BB846	BB10 CYLINDER PIN C	2	BB238⇒BB846 (2018.4)
3	83374	SNAP PING 12	2	83373⇒83374 (2018.4)
4	BB252	BB10 CYLINDER COVER	1	
5	71039	INSULATION LOCK AB150W	2	
6	BB844	BB8 DAMPER STAY C	1	BB835⇒BB844 (2018.4)
7	81113	SPRING WASHER	2	
8	80166	STOP BOLT 6x20	2	
9	BB845	BB8 DAMPER BRACKET C	1	BB836⇒BB845 (2018.4)
10	81112	SPRING WASHER M5	2	
11	80160	HEX SOCKET BOLT M5x20L BLACK	2	
12	BB837	BB8 DAMPER COVER	1	
13	81125	SPRING WASHER 5	2	
14	82196	PAN-HEAD SCREW M5x15	2	
15	85103	FLARE FITTINGS 1/4X1/8	2	
16	85102	1/8TEE NU-101	2	
17	85100	MALE CONNECTOR C2N1/4-PT1/8"	25	Quantity change (2018.4)
18	85483	NYLON TUBE N2-2-1/4"(L=320)	1	Add (2018.4)
19	85483	NYLON TUBE N2-2-1/4"(L=225)	1	Add (2018.4)
20	85483	NYLON TUBE N2-2-1/4"(L=560)	1	Add (2018.4)
21	85483	NYLON TUBE N2-2-1/4"(L=430)	1	Add (2018.4)
22	85469	SPIRAL TUBE (L=310)	1	Add (2018.4)
23	85469	SPIRAL TUBE (L=210)	1	Add (2018.4)
24	85469	SPIRAL TUBE (L=250)	1	Add (2018.4)
25	BE552	BE50 PROTECT SPRING	21	Outer L=250, Quantity change (2018.4)
26	BB851	BB8 PROTECT SPRING	1	Inner L=200, Add (2018.4)
27	65680	BB10 SPEED CONTROLLER C	1	71095⇒65680 (2018.4)
28	BB848	BB10 CONTROLLER STAY C	1	BB253⇒BB848 (2018.4)
29	BB242	BB10 DIAL GUARD	1	
30	81042	U-NUT M6	2	
31	81225	WASHER 6	4	
32	81113	SPRING WASHER	2	
33	80167	STOP BOLT 6x25	2	
34	BB239	CUTTING SPEED KNOB	1	
35	81028	HEX NUT M4	1	
36	80487	HEX SCREW M4X8L	43	Quantity change (2018.4)
37	SS0434	BB8 KNOB LABEL C	1	SS0351⇒SS0434 (2018.4)
38	71096	SPACER M4X15	1	
39	81150	WASHER M4	2	
40	81050	U-NUT M4	1	
41	71097	PROTECTION RUBBER	1	
42	BB240	BB10 ARROW	1	
43	82176	PAN HEAD SCREW M4X10L BLACKENING	1	
44	85099	PT ELBOW 1/8" MALE-FEMALE	43	Quantity change (2018.4)
45	85101	MALE ELBOW L2N1/4-PT1/8	43	Quantity change (2018.4)
46	85100	MALE CONNECTOR C2N1/4-PT1/8"	4	Delete (2018.4)
47	BB847	BB10 CYLINDER GUARD C	1	BB241⇒BB847 (2018.4)
48	85106	INNER TEE PT1/8"	2	Add (2018.4)
49	65681	CHECK VALVE PT1/8"	1	Add (2018.4)
50	80639	STOP BOLT 4x30	2	Add (2018.4)
51	81222	WASHER M4	2	Add (2018.4)
52	BB849	BB8 INNER KNOB C	1	Add (2018.4)
53	BB852	SUS MESH 100	2	Add (2018.8)
54	BB245	CYLINDER COVER PLATE	2	Add (2018.12)

BAND SAW BAND SAW BEAVER 8, 8F

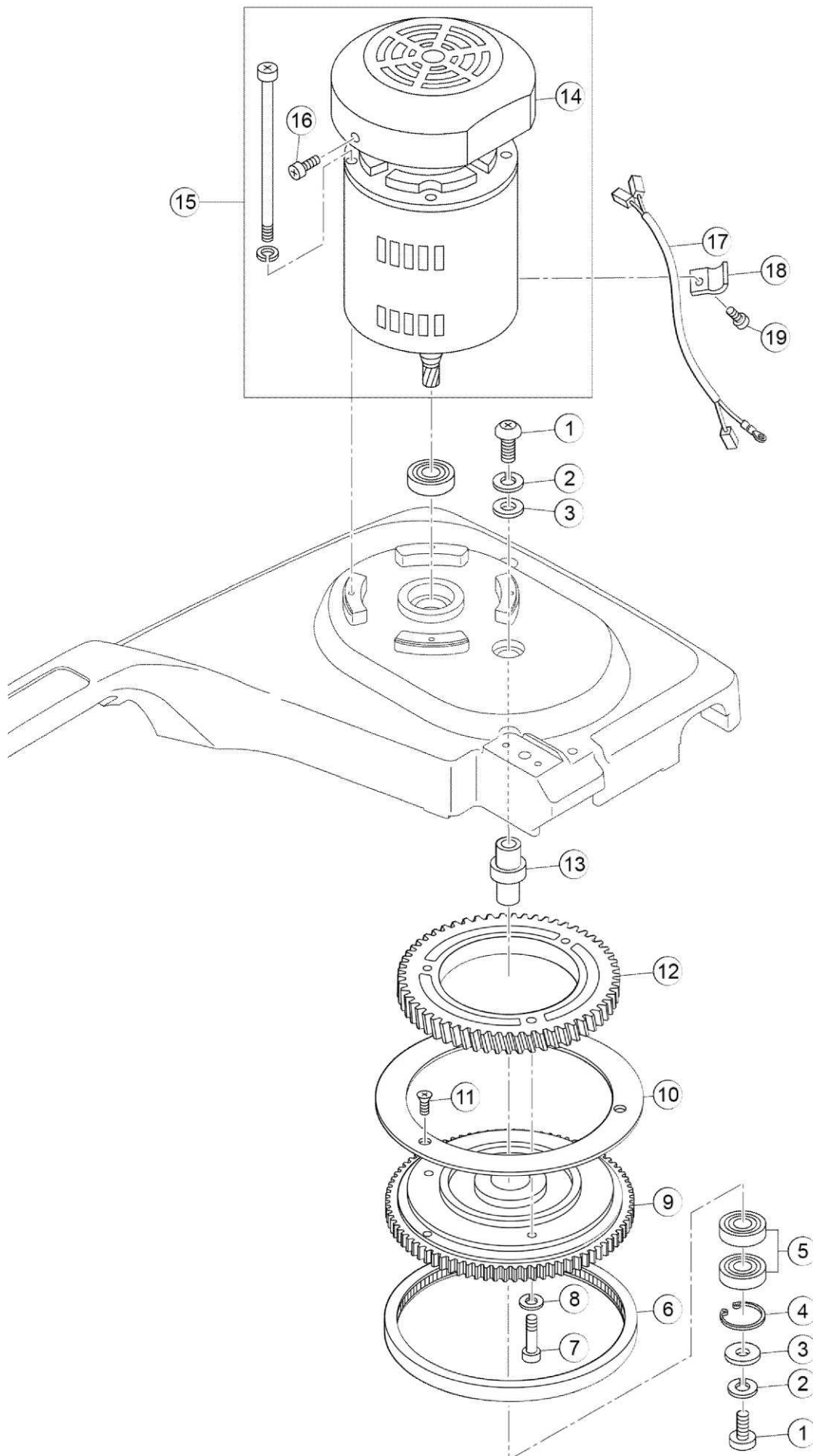




BAND SAW BAND SAW BEAVER 8, 8F



BAND SAW BAND SAW BEAVER 8, 8F



BAND SAW BAND SAW BEAVER 8, 8F

