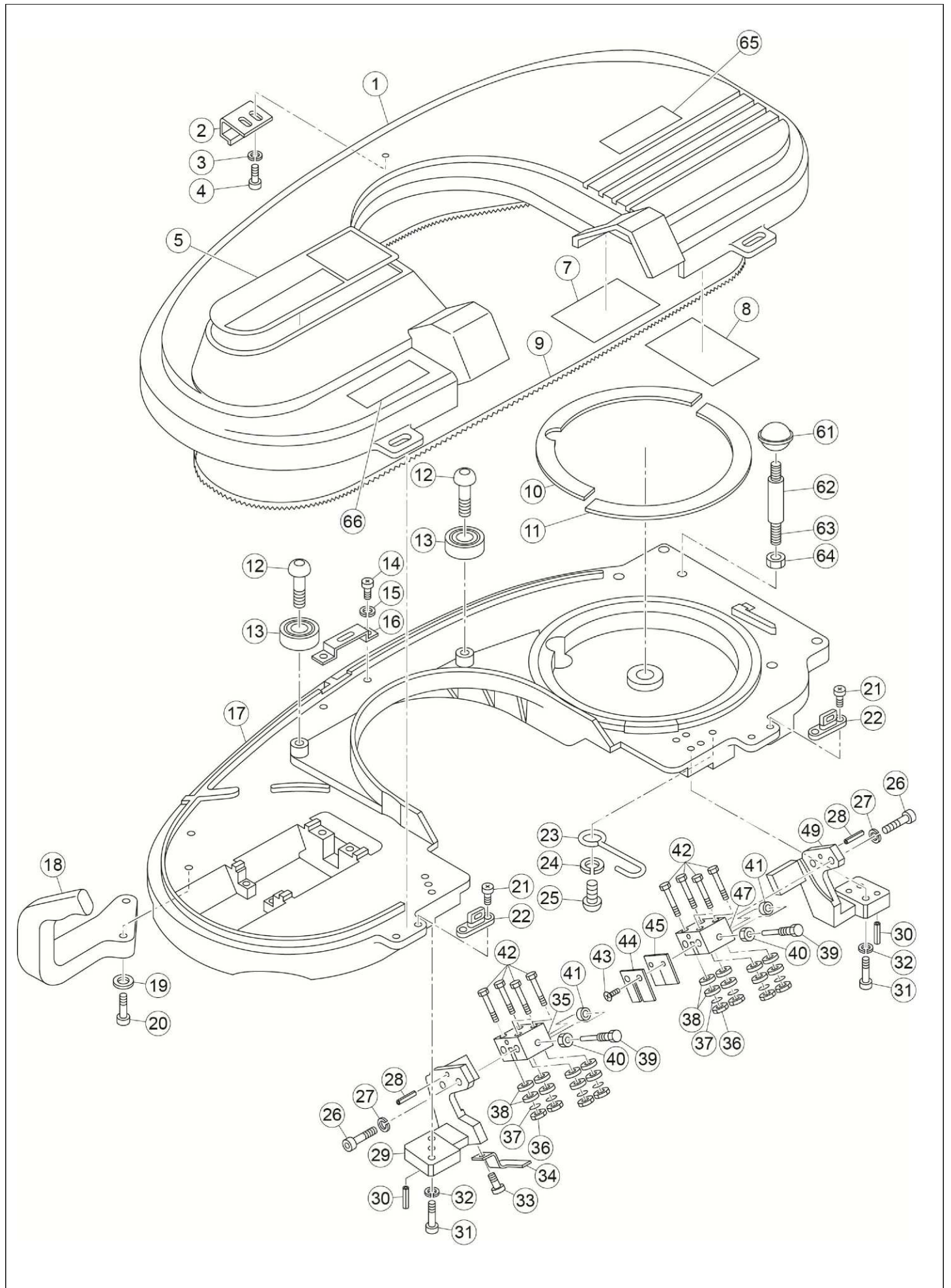


BAND SAW BAND SAW BEAVER 4, 4F ECO



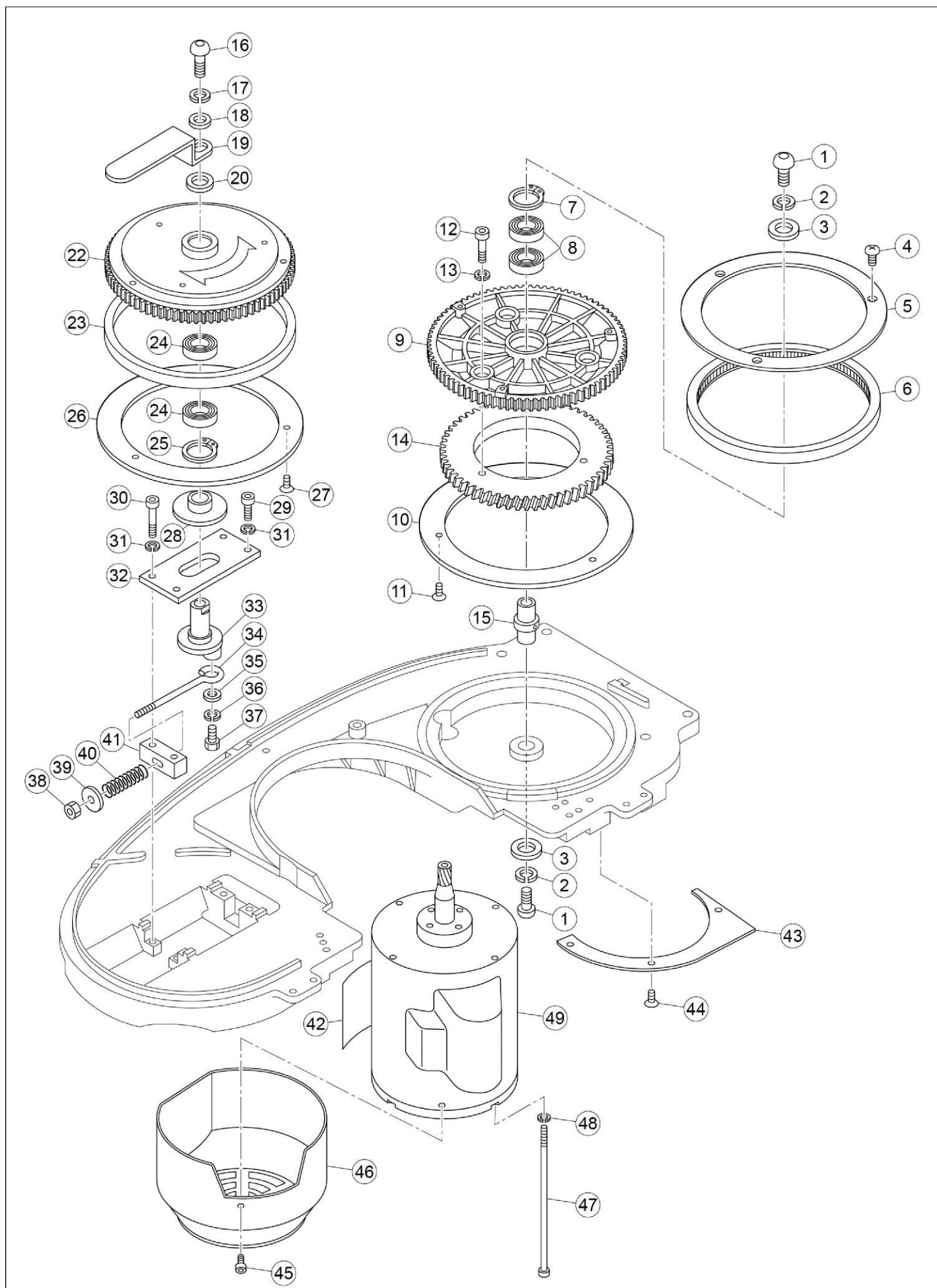
BAND SAW BAND SAW BEAVER 4, 4F ECO



Blade Guide & Frame

Ref. No.	Code No.	Parts Name	Qty	Remark
1	BB412	BB4 FRONT COVER	4	(※2)
2	BS383	COVER HOOK A	1	
3	81112	SPRING WASHER M5	2	81125 ⇒ 81112 (2011.1)
4	82181	PAN-HEAD SCREW 6 x 10	2	82195 ⇒ 82181 (2011.11)
5	BB413	BB4 NAME SEAL	1	
5	BB455	BB4F NAME SEAL	1	
7	BB019	BB6 BLADE EXCHANGE SEAL	1	
8	BB414	BB4 BLADE ADJUSTMENT STICKER	1	
9	—	BAND SAW BLADE	1	
10	BS086	CHIP GUARD A	1	
11	BS053	CHIP GUARD B	2	
12	82310	BUTTON SCREW 10 x 25	2	
13	84170	BALL BEARING 6200ZZ	2	
14	82189	PAN-HEAD SCREW 6x15	2	82201 ⇒ 82189 (2011.3)
15	81113	SPRING WASHER	2	81118 ⇒ 81113 (2011.3)
16	BS029	B125 COVER HOOK SUPPORT	1	
17	BB415	BB4 FRAME	1	
18	BS028	GRIP	1	
19	81251	SPRING WASHER CM6	2	
20	82192	PAN-HEAD SCREW 6x25	2	82199 ⇒ 82192 (2011.)
21	82802	TAPPING SCREW 4x10	4	82968 ⇒ 82802 (2013.5)
22	70570	COVER STOPPER	2	(※1) Made of Black plastic
22	71084	COVER STOPPER No.2-BN	2	(※1) Made of Metal (2013.9)
23	BS524	CHAIN HOOK	1	
24	81236	WASHER 8	1	
25	82253	BUTTON SCREW M8 × 20L	1	
26	80166	STOP BOLT 6x20 (80116)	4	
27	81113	SPRING WASHER	4	
28	83107	R-PIN 5x15L	2	
29	BS038	B125 BLADE GUIDE F	1	
30	83023	R-PIN 5 X 25	3	
31	80167	STOP BOLT 6x25	4	
32	81113	SPRING WASHER	4	
33	82200	PAN-HEAD SCREW 6x10	1	82201 ⇒ 82200 (2011.1)
34	BS039	B125 DOCK	1	
35	BS339	BLADE GUID HEAD F	1	
36	81068	U-NUT 5	8	
37	70149	WASHER 5	8	
38	84416	BALL BEARING 625ZZ	16	
39	BS331	BACK-GUIDE PIN	2	
40	81066	HEX NUT M6	2	
41	84146	BALL BEARING 605ZZ	2	
42	BS334	GUIDE PIN	8	
43	82282	FLAT HEAD SCREW M6X10L	2	
44	BB021	SCRAPER PLATE FOR BB6	1	
45	BB022	SCRAPER RUBBER	1	
47	BS333	BLADE GUID HEAD R	1	
49	BS332	BLADE GUID R BS185	1	
61	70612	PLASTIC BALL PB30 X M10RD	1	
62	EP185	RELIEF HOSE	1	
63	70629	SCREW M10X90L BLACK	1	
64	81024	HEX NUT 10	1	
65	BB418	BB4 ASADA STICKER	1	
66	BB037	BB6 WARNING SEAL	1	
SET	BB411	BB4 FRONT COVER ASSEMBLY	1	(No. 1-5, 7, 8, 65, 66) (※2)
SET	BB454	BB4F FRONT COVER ASSEMBLY	1	(No. 1-5, 7, 8, 65, 66) (※2)
組	BB006	B125 のこ刃ガイド F 組 (No. 26~42)	1	

BAND SAW BAND SAW BEAVER 4, 4F ECO

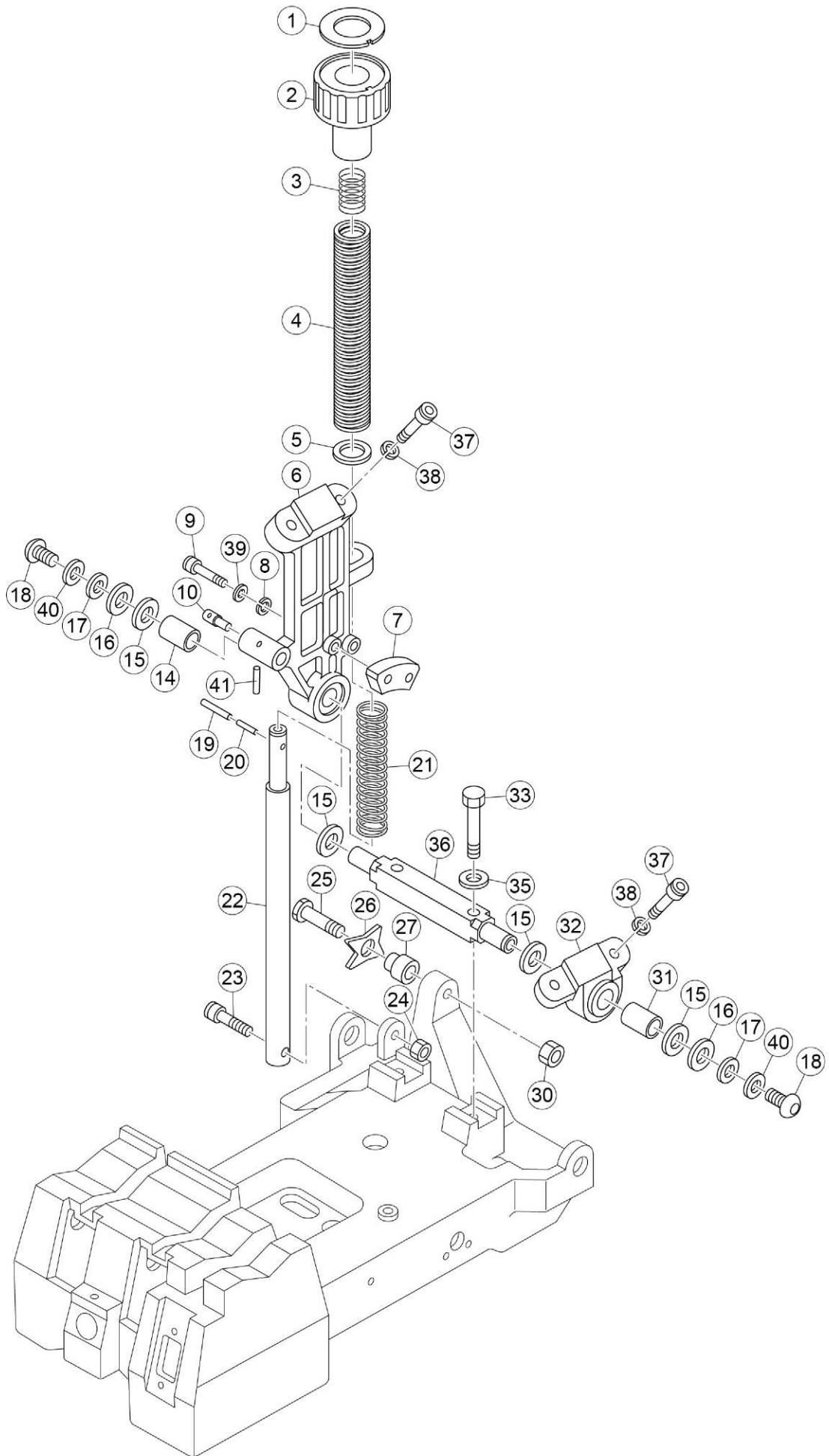


BAND SAW BAND SAW BEAVER 4, 4F ECO



Pulley, Tension & Driving Device

Ref. No.	Code No.	Parts Name	Qty	Remark
1	82257	SCREW 10x20	2	
2	81115	SPRING WASHER M10	2	
3	81226	WASHER 10	2	
4	82265	CAP SCREW M6x15	3	82301 ⇒ 82265 (2010.7)
5	BS447	BLADE SUPPORT	1	
6	BS532	PULLEY RUBBER	1	
7	83335	SNAP RING TRTW32	1	
8	84115	BALL BEARING 60002ZZ	2	
9	BS419	DRIVING PULLEY FOR BS185	1	
10	BS280	BLADE SUPPORT	1	
11	82341	CAP SCREW M4 × 16L	3	82287 ⇒ 82341 (2011.1)
12	80166	STOP BOLT 6x20 (80116)	3	
13	81113	SPRING WASHER	3	
14	BS329	DRIVING GEAR	1	
15	34139	PULLEY SHAFT FOR BS120/170	1	
16	82253	BUTTON SCREW M8 × 20L	1	
17	81114	SPRING WASHER 8	1	
18	81236	WASHER 8	1	
19	BS284	TENSION HANDLE	1	
20	BS282	HANDLE COLLAR	1	
22	BS666	FOLLOWING PULLEY FOR BS222/22F	1	
23	BS532	PULLEY RUBBER	1	
24	84115	BALL BEARING 60002ZZ	2	
25	83335	SNAP RING TRTW32	1	
26	BS545	PULLEY BLADE SUPPORT	1	
27	82341	CAP SCREW M4 × 16L	3	82287 ⇒ 82341 (2011.1)
28	BS281	PULLEY COLLAR	1	
29	80166	STOP BOLT 6x20 (80116)	2	
30	80170	CIRCLIP 3SG/4SB	2	
31	81113	SPRING WASHER	4	
32	BS033	TENSION GUIDE	1	
33	BS035	TENSION CAM	1	
34	BS036	BOLT	1	
35	81226	WASHER 10	1	
36	81115	SPRING WASHER M10	1	
37	80464	HEX SCREW M10x12L	1	
38	81067	U NUT M8	1	
39	MN115	MN WASHER	1	
40	70626	TENSION SPRING BS185/18F	1	
41	BS034	TENSION BLOCK	1	
42	BB416	BB4 LOAD ADJUST STICKER	1	
43	BB017	GUIDE BLADE	1	
44	82200	PAN-HEAD SCREW 6x10	3	82201 ⇒ 82200 (2011.6)
45	82979	TAP TIGHT SCREW M4x6L	3	
46	BS753	ENCLOSED FAN COVER	1	Discontinued (2016.)⇒Alternative #BB078
47	82966	PAN HEAD SCREW M5x175L	4	
48	81125	SPRING WASHER 5	4	
49	BB076	BB6 Motor 100V-TH	1	
SET	BS117	B125 DRIVING PULLEY FOR REPAIR	1	(No. 1-3, 5-7, 9, 10)×1 (No. 8) ×2, (No. 4, 11)×3
SET	BS003	B125 DRIVING PULLEY ASSEMBLY	1	(No. 1-15)
SET	BS004	BLADE TENSION ASSEMBLY	1	(No. 16-41)
SET	BS005	B125 FOLLOWING PULLEY ASSY	1	(No. 22-27)

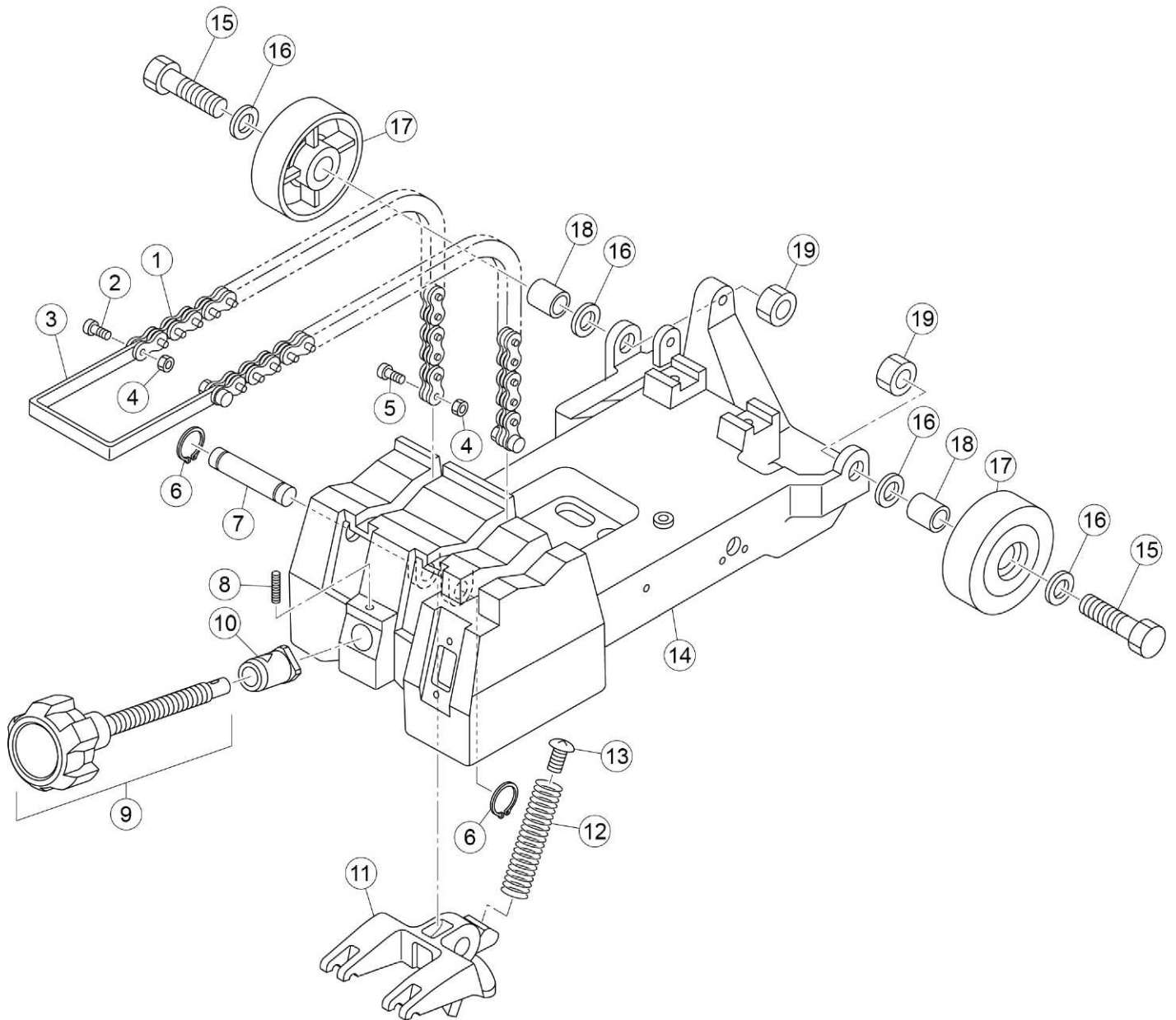


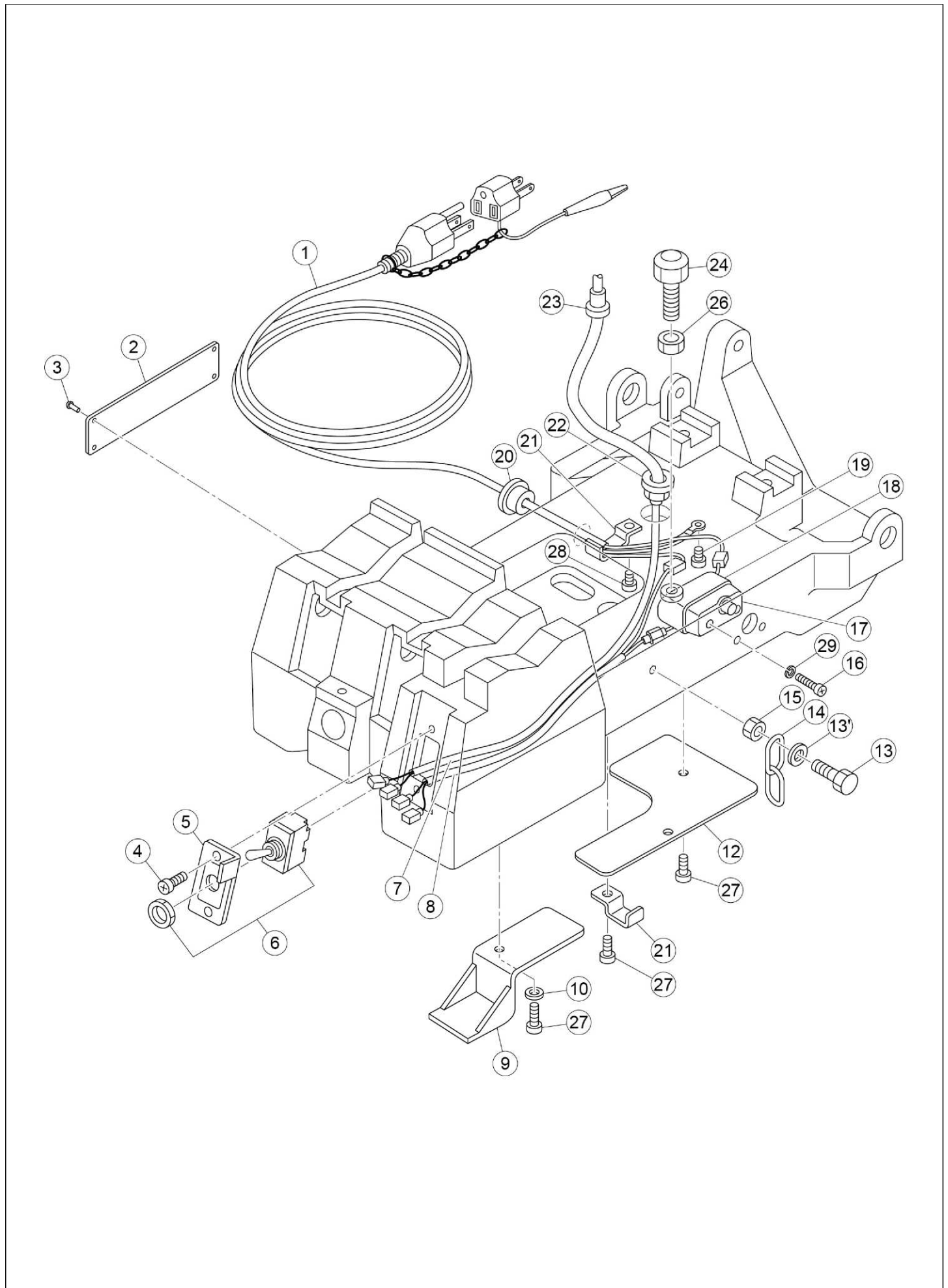
BAND SAW BEAVER 4, 4F ECO Datum Shaft & Shaft Support

Ref. No.	Code No.	Parts Name	Qty	Remark
1	BB032	BB6 ADJUSTMENT KNOB STICKER	1	
2	BS322	CUTTING LOAD ADJUST KNOB	1	
3	BS287	ADJUSTMENT KNOB SET SPRING BS185	1	
4	70627	B125/BB4 SPRING	1	
5	81153	WASHER 16	1	
6	BB422	BB4 SHAFT SUPPORT R	1	
7	BS309	CURB PLATE	1	
8	81113	SPRING WASHER	2	
9	80167	STOP BOLT 6x25	2	
10	BB010	BB6 STOPPER PIN	1	
14	84326	OILLESS DRY METAL BS120/170	1	
15	BS098	SHAFT SUPPORT PLATE	4	
16	81226	WASHER 10	2	
17	01127	DIE-NUT WASHER	2	
18	82257	SCREW 10x20	2	
19	83035	R-PIN 6 x 18	1	
20	83067	R-PIN 3.5 x 12	1	
21	BS089	BUSSING SPRING	1	
22	BS286	B185 SLIDE ROD	1	BS046 ⇒ BS286 (2010.8)
23	80180	STOP BOLT 8x35	1	80182 ⇒ 80180 (2010.2)
24	81064	HEX NUT 8	1	
25	BS056	STOPPER BOLT	1	
26	BS055	B125 STOPPER	1	
27	BS057	STOPPER COLOR	1	
30	81041	U-NUT 10	1	
31	84326	OILLESS DRY METAL BS120/170	1	
32	BS043	B125 SHAFT SUPPORT F	1	
33	80058	HEX BOLT 10x45	2	
35	81226	WASHER 10	2	
36	BB417	BB4 DATUM SHAFT	1	
37	80178	STOP BOLT M8x25L	4	
38	81254	SPRING WASHER CM8	4	
39	81225	WASHER 6	1	
40	81115	SPRING WASHER M10	2	
41	83015	R-PIN 4x12	1	
SET	BS016	STOPPER ASSEMBLY	1	(No. 25-27, 30)
SET	BS010	B125 SHAFT SUPPORT F ASSEMBLY	1	(No. 31, 32)
SET	BB421	BB4 SHAFT SUPPORT R ASSEMBLY	1	(No. 6-10, 14, 39)
SET	BB423	BB4 ADJUSTMENT ASSEMBLY	1	(No. 1-5, 19-24)

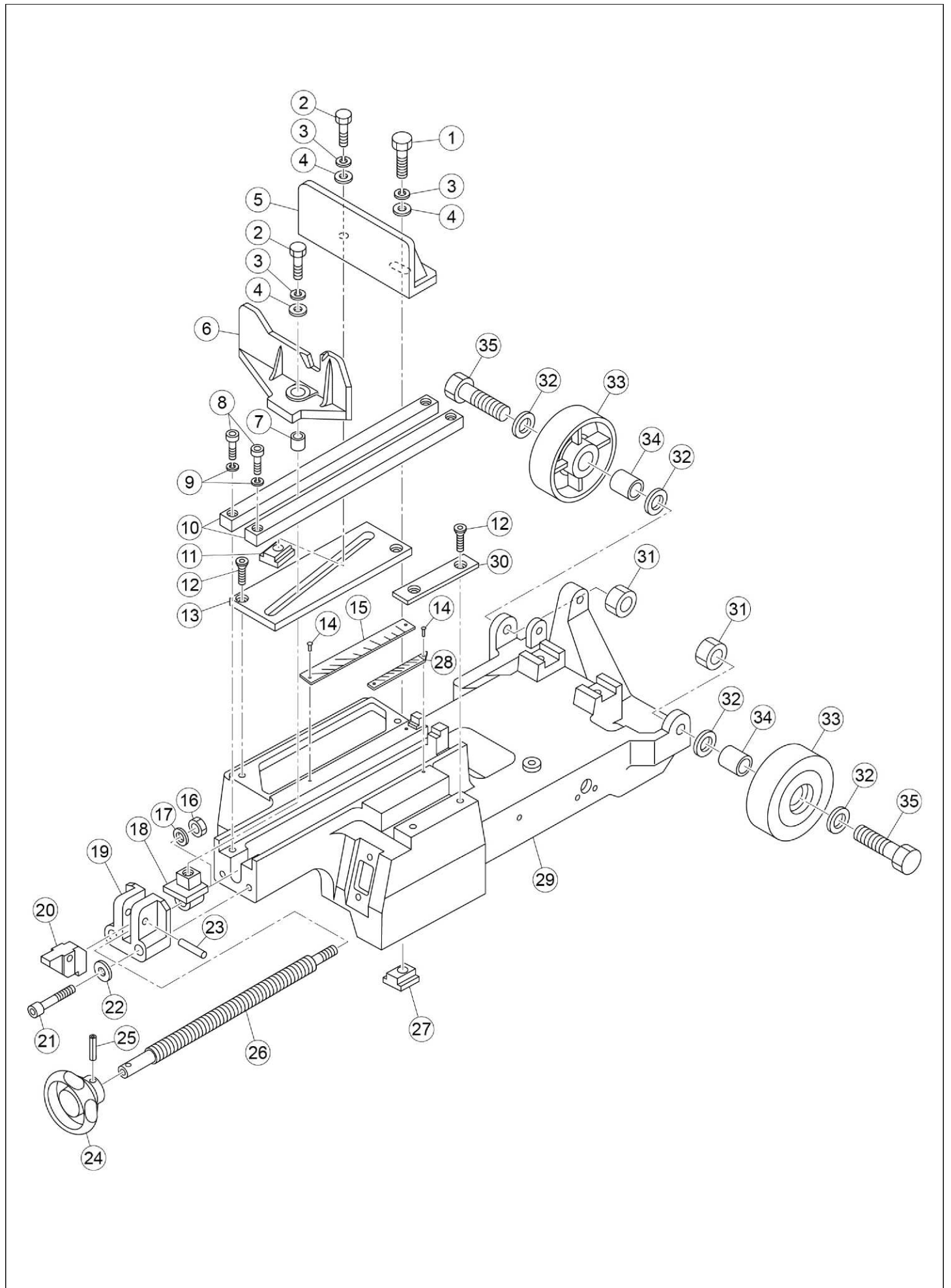
BAND SAW BAND SAW BEAVER 4, 4F ECO

Asada
Chain Vise





BAND SAW BAND SAW BEAVER 4, 4F ECO



BAND SAW BAND SAW BEAVER 4, 4F ECO



Ref. No.	Code No.	Parts Name	Qty	Remark
1	80057	HEX BOLT 10x40	1	
2	80055	HEX BOLT 10 x 30	2	
3	81115	SPRING WASHER M10	3	
4	81226	WASHER 10	3	
5	BS075	B12F Flat Vise R	1	
6	BS073	B12F Flat Vise F	1	
7	BS074	B12F Flat Vise F Collar	1	
8	80166	STOP BOLT 6x20 (80116)	4	
9	81251	SPRING WASHER CM6	4	
10	BS072	B12F Flat Vise Rail	2	
11	BB452	T-Slot Nut M10	1	70628 ⇒ BB452 (2009.12)
12	82931	HEX SCREW 6x15	4	
13	BS069	B12F Vise Table	1	
14	83352	PLATE TACK 2x4.8	4	
15	BS070	B12F Scale Plate L	1	
16	81041	U-NUT 10	1	
17	81269	Small Plain Washer M10 Blackening	1	
18	BS081	B12F Slide Block	1	
19	BS078	B12F Guide Bracket	1	
20	BS077	BB4F Feed Screw Guide	1	
21	80181	STOP BOLT 8 X 40	2	
22	81254	SPRING WASHER CM8	2	
23	45732	PIN	1	
24	BS085	B12F Handle	1	
25	83042	R-PIN 6x30	1	
26	BS079	B12F Feed Screw	1	
27	BS076	B12F T Slof Nut	1	
28	BS071	BB4F Scale Plate S	1	
29	BS067	B12F Flat Vise Body	1	
30	BS068	B12F Vise Plate	1	
31	81087	U-NUT 16	2	
32	81275	Plain Washer M16 Blackening	4	81153 ⇒ 81275 (2011.1)
33	BS291	CASTER FOR BS185	2	
34	BS292	B185 CASTER COLLAR	2	
35	80125	HEX BOLT 16 x 60L	2	
SET	BS022	BB4F Feed Screw Guide set	1	(No.19-23)
SET	BS023	BB4F Feed Screw set	1	(No. 16-18, 24-26)

BAND SAW BAND SAW BEAVER 4, 4F ECO



Switch & Code (Flat Vise)

