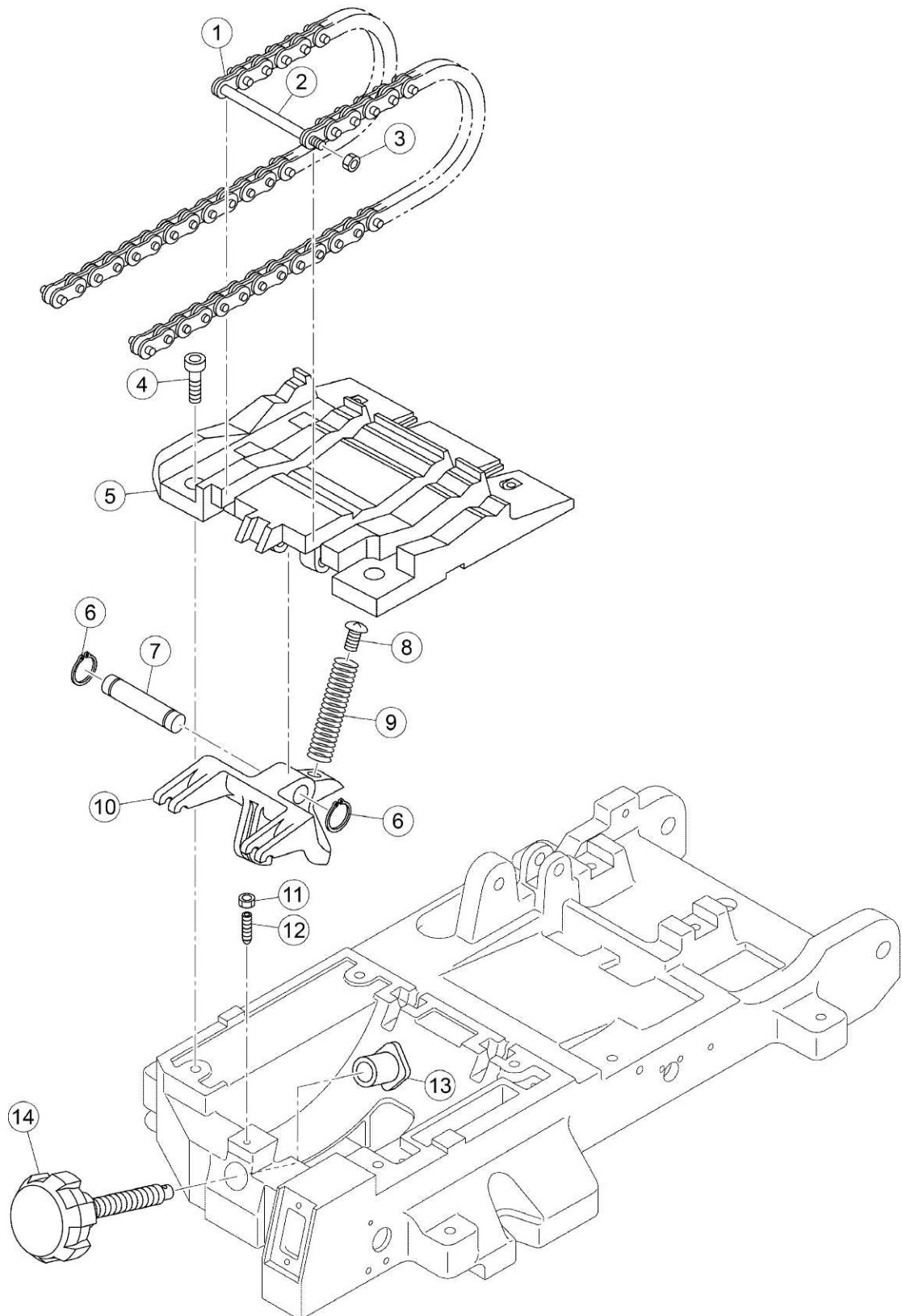
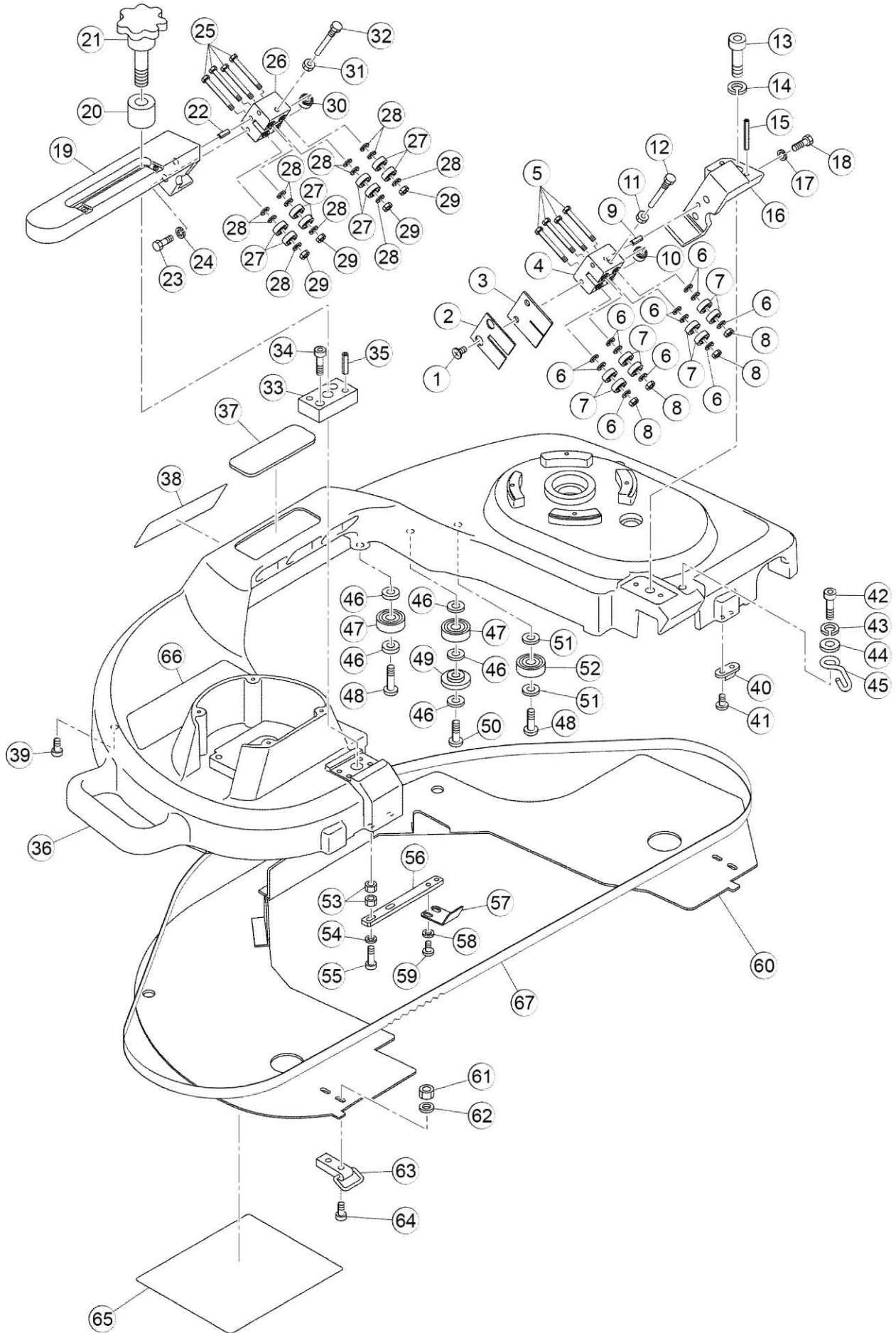


BAND SAW BAND SAW BEAVER 10

Asada
Chain Vise



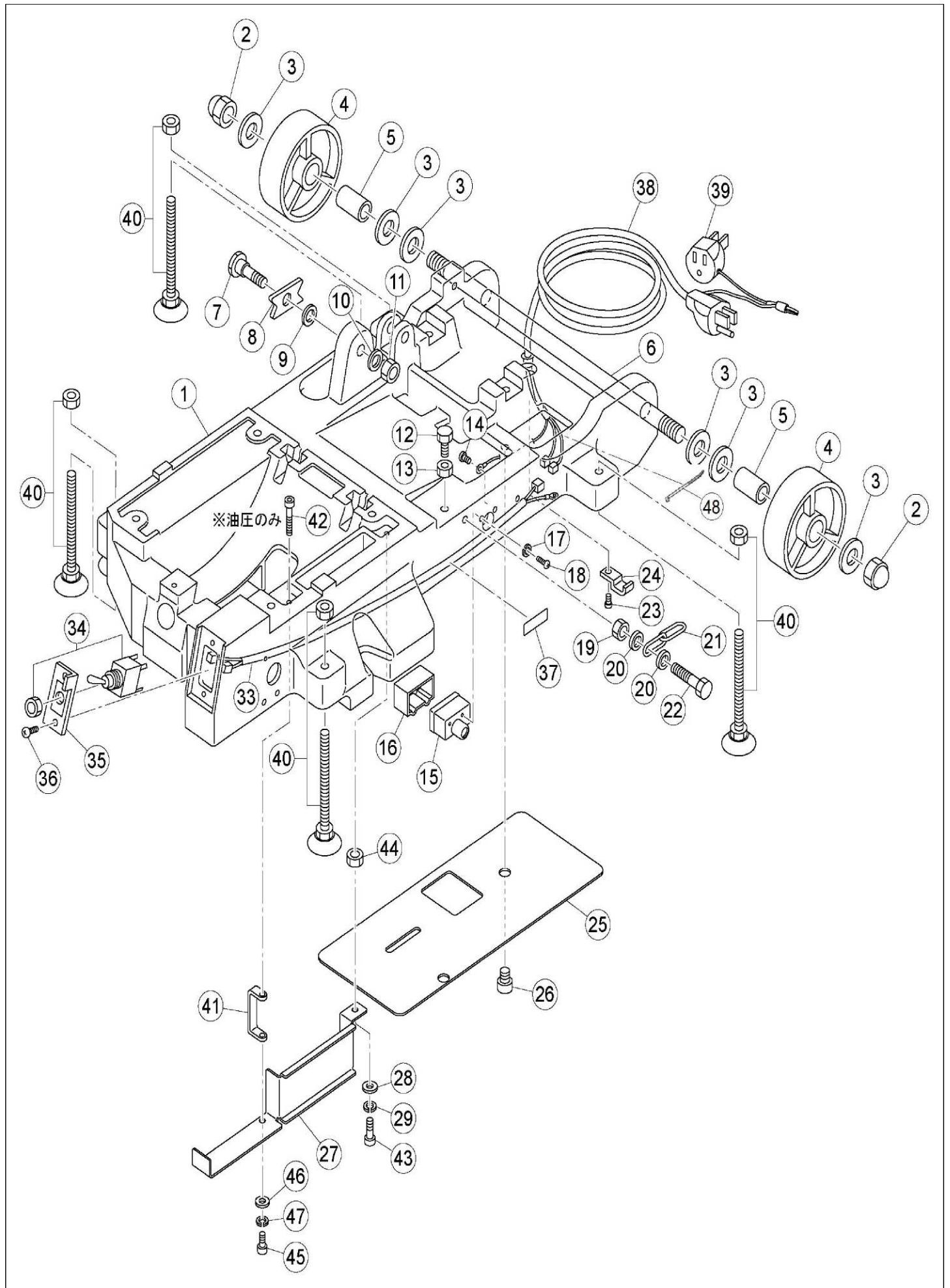
BAND SAW BAND SAW BEAVER 10



BAND SAW BAND SAW BEAVER 10

Ref.No.	Code No.	Parts Name	Qty	Remark
1	82282	FLAT HEAD SCREW M6X10L	2	
2	BB021	SCRAPER PLATE FOR BB6	1	
3	BB022	SCRAPER RUBBER	1	
4	BS333	BLADE GUID HEAD R	1	
5	BB233	BB10 GUIDE PIN	4	
6	81238	WASHER M5 GILT SMALL	12	
7	84416	BALL BEARING 625ZZ	8	
8	81055	U-NUT 5	1	
9	83107	R-PIN 5x15L	1	
10	84146	BALL BEARING 605ZZ	1	
11	81066	HEX NUT M6	1	
12	BS331	BACK-GUIDE PIN	1	
13	80190	STOP BOLT 10x30	1	
14	81115	SPRING WASHER M10	1	
15	83082	R-PIN 5x35L	2	
16	BB232	BB10 BLADE GUIDE R	1	
17	81113	SPRING WASHER	2	
18	80017	HEX BOLT	2	
19	BB234	BB10 BLADE GUIDE F	1	
20	BB235	BB10 COLLAR	1	
21	71094	KNOB BOLT 12X60	1	
22	83107	R-PIN 5x15L	1	
23	80017	HEX BOLT	2	
24	81113	SPRING WASHER	2	
25	BB233	BB10 GUIDE PIN	4	
26	BS339	BLADE GUID HEAD F	1	
27	84416	BALL BEARING 625ZZ	8	
28	81238	WASHER M5 GILT SMALL	12	
29	81055	U-NUT 5	4	
30	84146	BALL BEARING 605ZZ	1	
31	81066	HEX NUT M6	1	
32	BS331	BACK-GUIDE PIN	1	
33	BS609	B222 KEY	1	
34	80165	STOP BOLT 6x18	2	
35	83023	R-PIN 5 X 25	2	
36	BB225	BB10 FRAME	1	
37	SS0316	BB10 ASADA LABEL	1	
38	SS0315	BB10 LABEL	1	
39	BS667	BOLT FOR BACK PLATE BS222	2	
40	BS523	BACK PLATE HOOK	2	
41	82181	PAN-HEAD SCREW 6 x 10	4	
42	80177	STOP BOLT 8x20	1	
43	81114	SPRING WASHER 8	1	
44	81147	WASHER	1	
45	BS524	CHAIN HOOK	1	
46	70150	SNAP RING S-10	10	
47	84113	BALL BEARING 6000ZZ FOR BS170	4	
48	82257	SCREW 10x20	4	
49	BS526	BLADE WASHER	2	
50	82302	BUTTON SCREW 10 x 30	2	
51	81152	WASHER 10	4	
52	84162	BALL BEARING 6300ZZ FOR BS170	2	
53	81062	HEX NUT 6	4	
54	81159	WASHER 5	2	
55	80205	STOP BOLT 5x25	2	
56	BB226	BB10 DOCK PLATE	1	
57	BB227	BB10 DOCK	1	

BAND SAW BAND SAW BEAVER 10

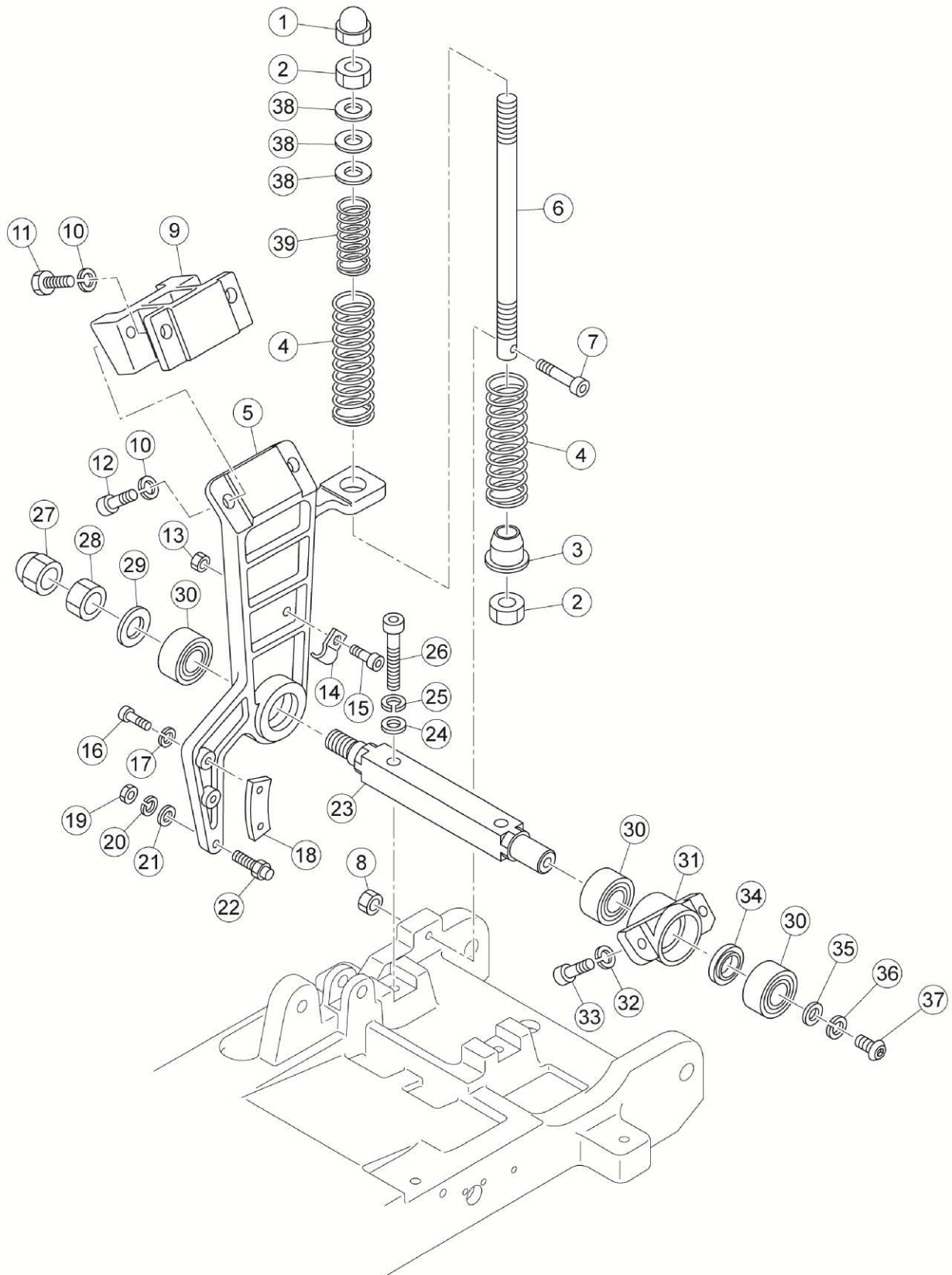


BAND SAW

BAND SAW BEAVER 10

Ref.No.	Code No.	Parts Name	Qty	Remark
1	BB229C	BB10 Vise Body	1	BB229→BB229C (2018.4)
2	81080	HEX CAP NUT 16	2	
3	81153	WASHER 16	6	
4	BS291	CASTER FOR BS185	2	
5	BS292	B185 CASTER COLLAR	2	
6	BS566	CASTER SHAFT	1	
7	BS557	STOPPER SHAFT	1	
8	BB250	BB10 STOPPER	1	
9	BS558	STOPPER COLLAR	1	
10	81149	WASHER 10	1	
11	81041	U-NUT 10	1	
12	BS051	STOPPER RUBBER	1	
13	81024	HEX NUT 10	1	
14	88899	PAN HEAD SCREW M6X8L BRASS	1	
15	87707	PROTECTOR 8A OR-627	1	
16	BS285	PROTECTOR COVER	1	
17	81195	SPRING WASHER M4	2	
18	82215	PAN-HEAD SCREW 4x15	2	
19	81063	HEX NUT 8	1	
20	81147	WASHER	32	Quantity change (2018.4)
21	70219	CHAIN FOR BS170A	1	
22	45473	STOP BOLT	1	
23	82201	PAN-HEAD SCREW 6x10	1	
24	BS627	CORD HOOK A	21	Quantity change (2018.6)
25	BB231	BB10 CORD PLATE	1	
26	80602	STOP BOLT 10 x 12	2	
27	BB230	BB10 SWITCH BACK PLATE	1	
28	81225	WASHER 6	21	Quantity change (2018.4)
29	81113	SPRING WASHER	21	Quantity change (2018.4)
30	80462	STOP BOLT 6x12	4	Delete (2018.4)
31	83059	R-PIN 10x40	4	Delete (2018.4)
32	80172	STOP BOLT 6x50	4	Delete (2018.4)
33	BB246	BB10 SWITCH CORD	1	
34	87161	SNAP SWITCH WD1001	1	
35	34417	SWITCH PLATE FOR BS120/170	1	
36	82201	PAN-HEAD SCREW 6x10	2	
37	BS341	RESET BUTTON STICKER (JAPANESE)	1	
37	BS416	RESET BUTTON STICKER (ENGLISH)	1	
38	BS585	POWER CODE	1	
39	87137	ADAPTOR	1	
40	71093	ADJUST BOLT 10X100	4	
41	BB850	SWITCH PLATE STAY C	1	Add (2018.4)
42	80206	STOP BOLT 5x30	1	Add (2018.4)
43	80166	STOP BOLT 6x20	1	Add (2018.4)
44	81063	HEX NUT 8	1	Add (2018.4)
45	80157	STOP BOLT 5x12	1	Add (2018.4)
46	80159	HEX BOLT 5x16	1	Add (2018.4)
47	81112	SPRING WASHER M5	1	Add (2018.4)
48	71039	INSULATION LOCK AB150W	1	Add (2018.12)

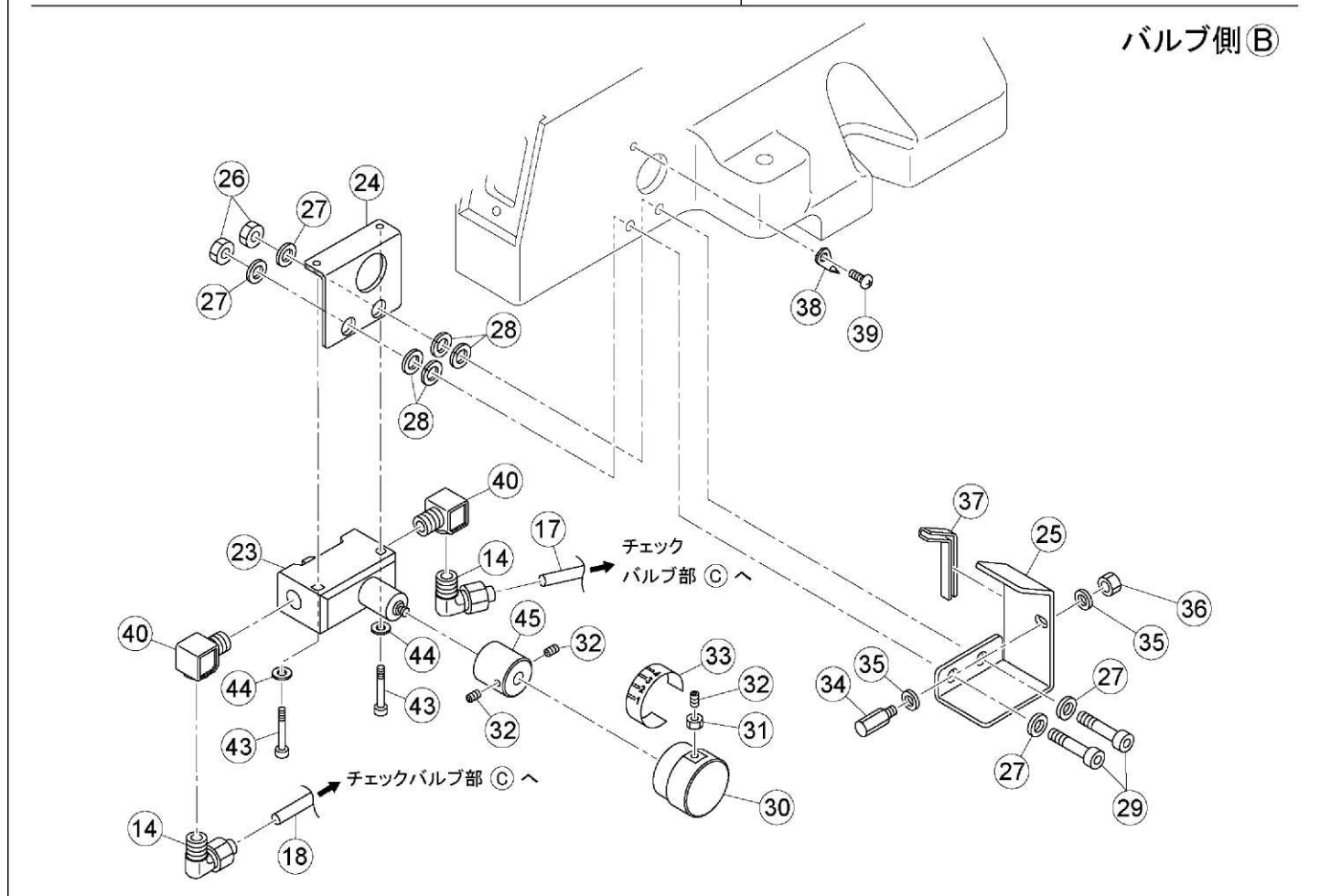
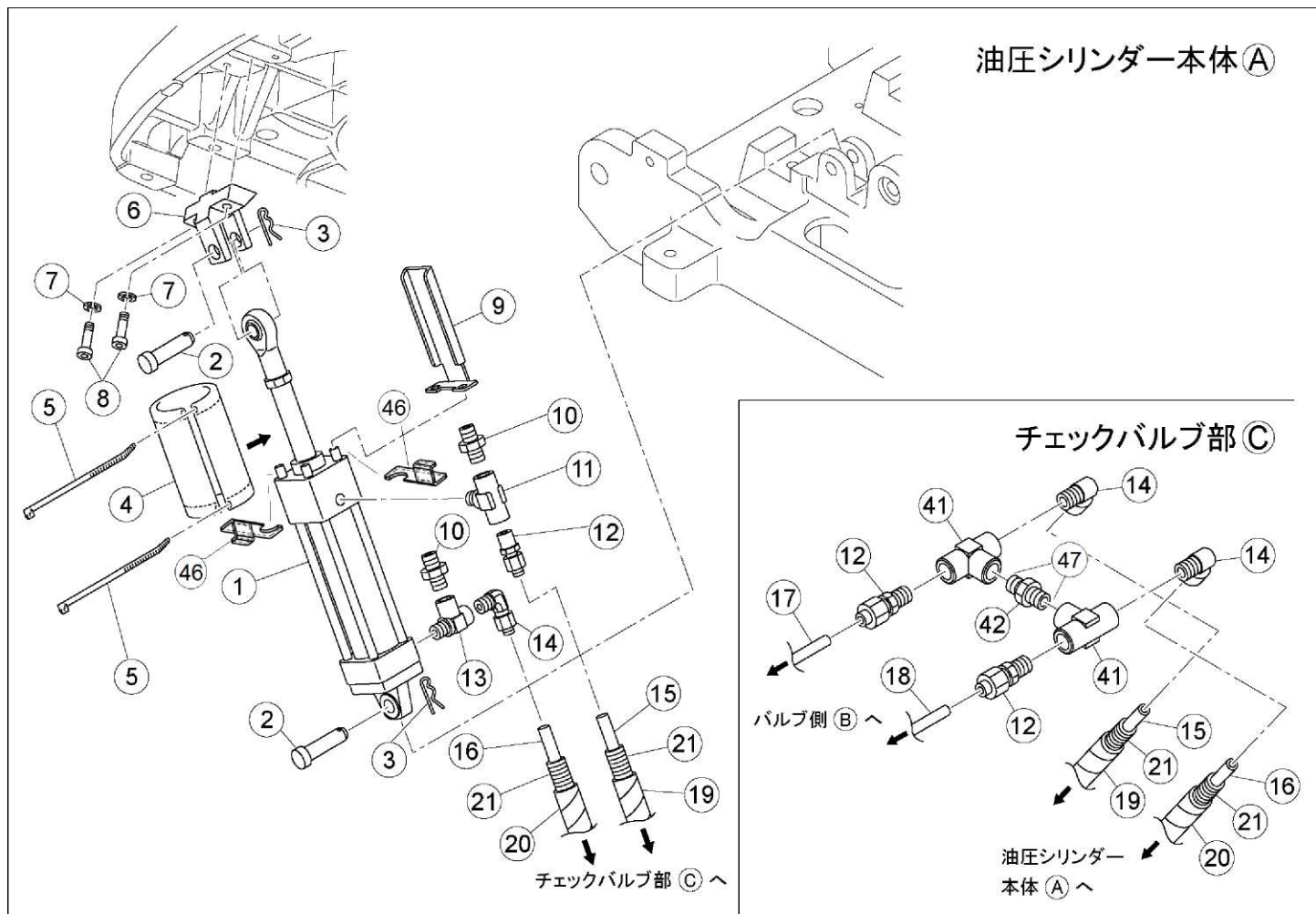
BAND SAW BAND SAW BEAVER 10



BAND SAW BAND SAW BEAVER 10

Adjustment System

Ref.No.	Code No.	Parts Name	Qty	Remark
1	81080	HEX CAP NUT 16	1	81086⇒81080 (2018.4)
2	81087	U-NUT M16 BLACKENING	42	Quantity Change (2018.4)
3	BB251	GUIDE WASHER	21	Quantity Change (2018.4)
4	BS646	OUTER SPRING	2	
5	BB219	BB10 ARM	1	
6	BB236	BB10 SLIDE ROD	1	
7	80181	STOP BOLT 8 X 40	1	
8	81063	HEX NUT 8	1	
9	BB220	BB10 ARM 60 DEGREES	1	
10	81115	SPRING WASHER M10	4	
11	80055	HEX BOLT 10 x 30	2	
12	80190	STOP BOLT 10x30	2	
13	81062	HEX NUT 6	1	
14	19722	TUBE HOOK	1	
15	80162	STOP BOLT 6x12	1	
16	80167	STOP BOLT 6x25	2	
17	81113	SPRING WASHER	2	
18	BB221	BB10 CURB PLATE	1	
19	81019	HEX NUT 6	1	
20	81113	SPRING WASHER	1	
21	81225	WASHER 6	1	
22	BB249	STOPPER PIN	1	
23	BB223	BB10 DATUM SHAFT	1	
24	81149	WASHER 10	2	
25	81115	SPRING WASHER M10	2	
26	80193	STOP BOLT 10 x 45	2	
27	81080	HEX CAP NUT 16	1	
28	81039	HEX NUT 16	1	
29	81153	WASHER 16	1	
30	84167	BALL BEARING 6004ZZ	3	
31	BB222	BB10 SHAFT SUPPORT	1	
32	81115	SPRING WASHER M10	2	
33	82806	LOW HEAD HEX SOCKET BOLT M10X30L	2	
34	BS612	BEARING COLLAR	1	
35	81149	WASHER 10	1	
36	81115	SPRING WASHER M10	1	
37	82257	SCREW 10x20	1	
38	81153	WASHER 16	3	Add (2018.4)
39	BB267	BB10 INNER SPRING C	1	Add (2018.4)

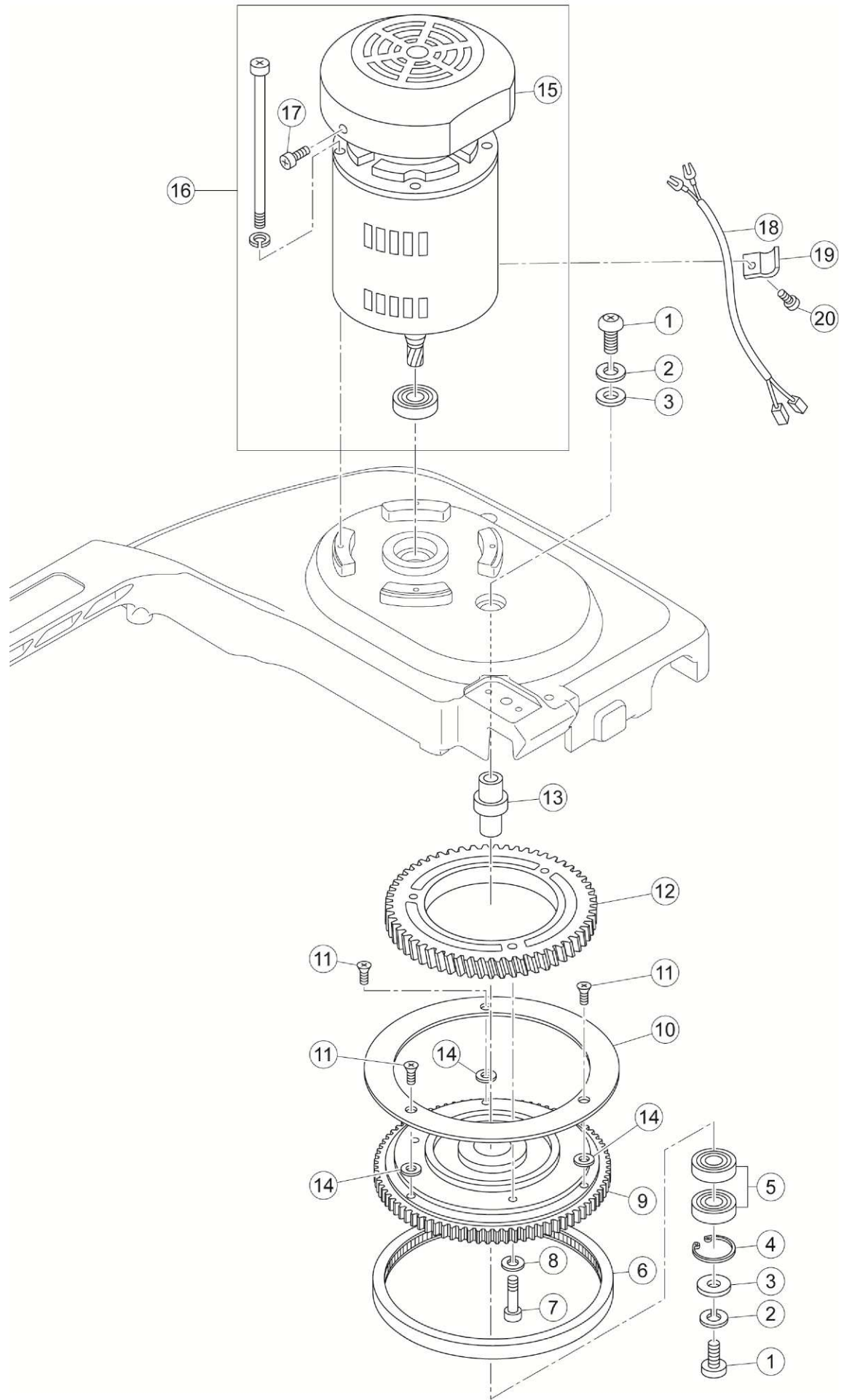


BAND SAW BAND SAW BEAVER 10

Ref.No.	Code No.	Parts Name	Qty	Remark
1	BB266	BB10 HYDRAULIC CYLINDER C	1	BB237⇒BB266 (2018.4)
2	BB846	BB10 CYLINDER PIN C	2	BB238⇒BB846 (2018.4)
3	83374	SNAP PING 12	2	83373⇒83374 (2018.4)
4	BB252	BB10 CYLINDER COVER	1	
5	71039	INSULATION LOCK AB150W	2	
6	BB264	BB10 DAMPER STAY	1	BB248⇒BB264 (2018.4)
7	81113	SPRING WASHER	2	
8	80168	HEX SOCKET BOLT M6 x 30	2	
9	BB847	BB10 CYLINDER GUARD C	1	BB241⇒BB847 (2018.4)
10	85103	FLARE FITTINGS 1/4X1/8	2	
11	85102	1/8Tee NU-101	1	
12	85100	MALE CONNECTOR C2N1/4-PT1/8"	23	Quantity change (2018.4)
13	BB243	1/8TEE PT	1	
14	85101	MALE ELBOW L2N1/4-PT1/8"	25	Quantity change (2018.4)
15	85483	NYLON TUBE N2-2-1/4" (L=430)	1	Add (2018.4)
16	85483	NYLON TUBE N2-2-1/4" (L=350)	1	Add (2018.4)
17	85483	NYLON TUBE N2-2-1/4" (L=420)	1	Add (2018.4)
18	85483	NYLON TUBE N2-2-1/4" (L=480)	1	Add (2018.4)
19	85469	SPIRAL TUBE (L=420)	1	Add (2018.4)
20	85469	SPIRAL TUBE (L=340)	1	Add (2018.4)
21	BE552	BE50 PROTECTION SPRING	42	Quantity change (2018.4)
22	BB254	BB10 PROTECTION SPRING	4	Delete (2018.4)
23	65680	BB10 SPEED CONTROLLER C	1	71095⇒65680 (2018.4)
24	BB265	BB10 SPEED CONTROLLER STAY C	1	BB253⇒BB265 (2018.4)
25	BB242	BB10 DIAL GUARD	1	
26	81042	U-NUT M6	2	
27	81225	WASHER 6	4	
28	81113	SPRING WASHER	24	Quantity change (2018.4)
29	80166	STOP BOLT 6x20	2	80167⇒80166 (2018.4)
30	BB239	CUTTING SPEED KNOB	1	
31	81028	HEX NUT M4	1	
32	80487	HEX SCREW M4X8L	43	Quantity change (2018.4)
33	SS0436	BB10 KNOB LABEL (JAPANESE)	1	SS0351⇒SS0436 (2018.4)
34	71096	SPACER M4X15	1	
35	81150	WASHER M4	2	
36	81050	U-NUT M4	1	
37	71097	PROTECTION RUBBER	1	
38	BB240	BB10 ARROW	1	
39	82176	PAN HEAD SCREW M4X10L BLACKENING	1	
40	85099	PT ELBOW 1/8" MALE-FEMALE	42	Quantity change (2018.4)
41	85106	INNER TEE PT1/8"	2	Add (2018.4)
42	65681	CHECK VALVE PT1/8"	1	Add (2018.4)
43	80639	STOP BOLT 4x30	2	Add (2018.4)
44	81222	WASHER M4	2	Add (2018.4)
45	BB268	BB10 INNER KNOB C	1	Add (2018.4)
46	BB245	CYLINDER COVER PLATE	2	Add (2018.12)
47	BB852	SUS MESH 100	2	Add (2018.12)
SET	BB257	BB10 HYDRAULIC CYLINDER SET		NO.1, 3-5, 9-16, 19-21 (2018.11)

BAND SAW BAND SAW BEAVER10

Asada
Frame②



BAND SAW
BAND SAW BEAVER10



Ref.No.	Code No.	Parts Name	Qty	Remark
1	82257	SCREW 10x20	2	
2	81115	SPRING WASHER M10	2	
3	81149	WASHER 10	2	
4	83335	SNAP RING TRTW32	1	
5	84115	BALL BEARING 60002ZZ	2	
6	BS532	PULLEY RUBBER	1	
7	80166	STOP BOLT 6x20 (80116)	3	
8	81113	SPRING WASHER	3	
9	BS419	DRIVING PULLEY FOR BS185	1	
10	BS280	BLADE SUPPORT	1	
11	82287	HEX SCREW M4 x16	3	
12	BS329	DRIVING GEAR	1	
13	34139	PULLEY SHAFT FOR BS120/170	1	
14	81150	WASHER M4	63	Quantity change (2018.6)
15	BB263	MOTOR COVER	1	
16	BB261	BB10 MOTOR 100V	1	
16	BB262	BB10 MOTOR 220V	1	
17	82175	CAP SCREW 4x8	1	
18	BB247	BB10 MOTOR CORD	1	
19	BS627	CORD HOOK A	1	
20	82174	PAN-HEAD SCREW 4x6	1	

BAND SAW BAND SAW BEAVER10

