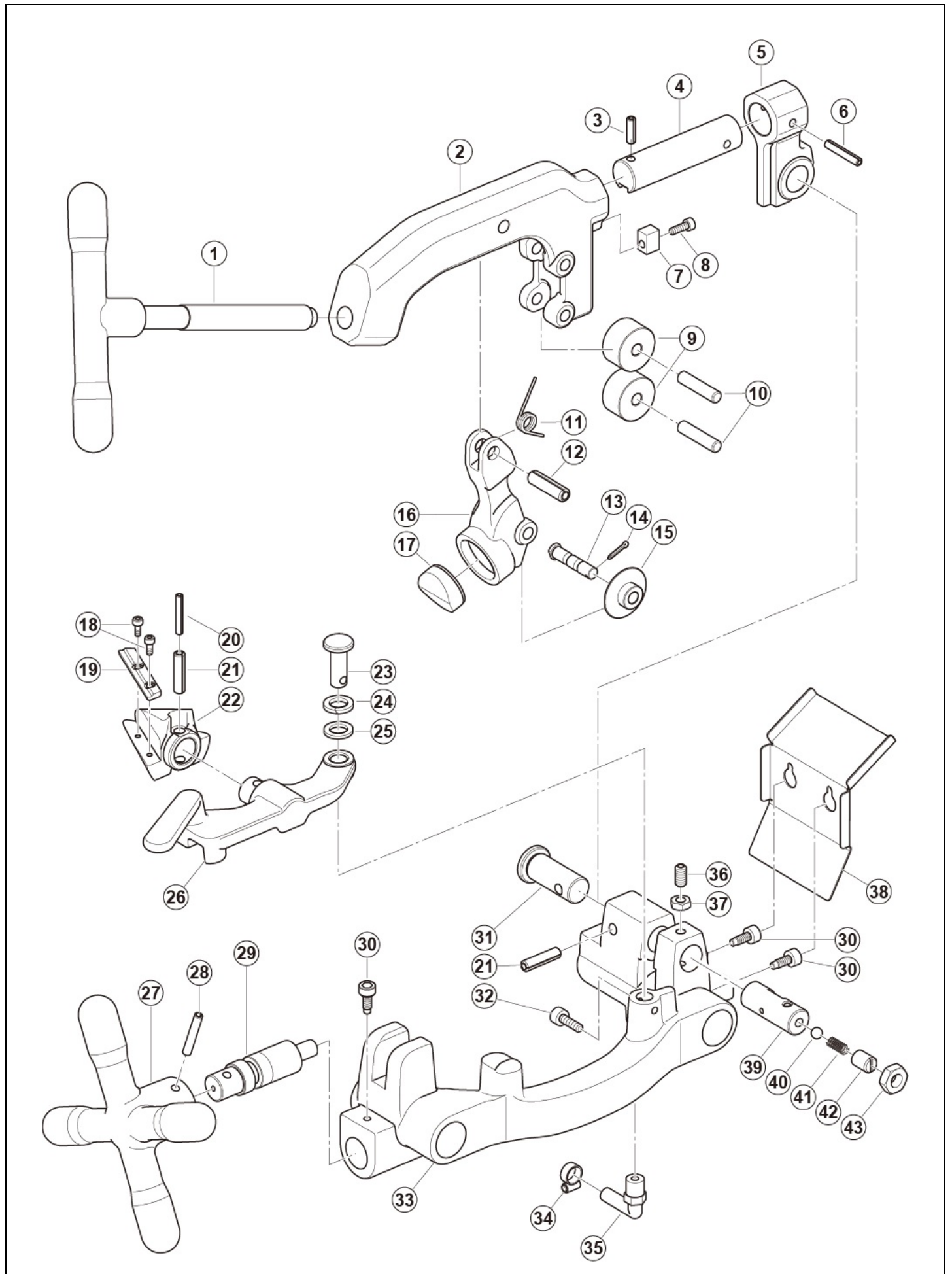


Threading Machine BEAVER 50G

Asada Pipe Cutter, Carriage & Reamer



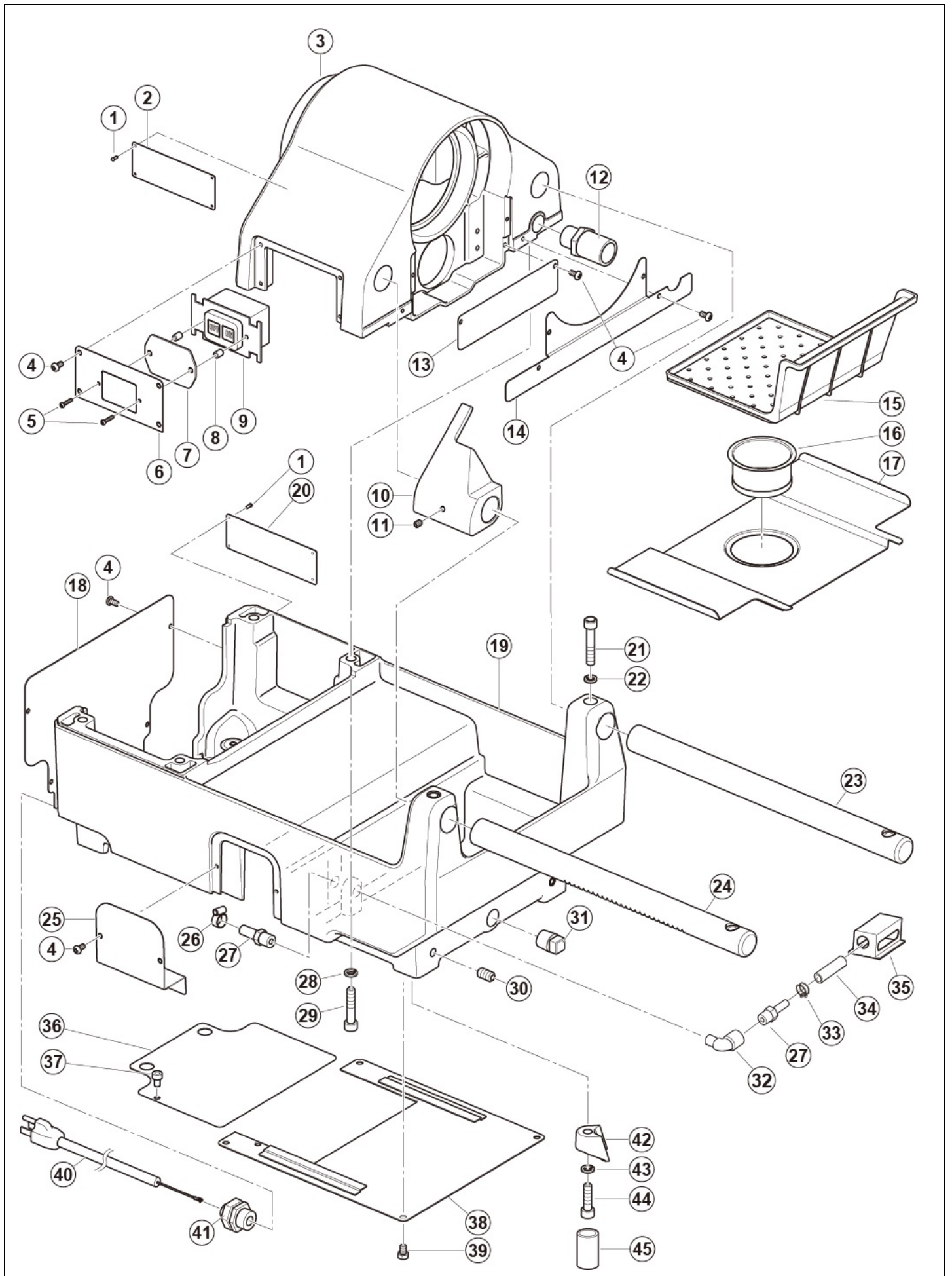
Threading Machine BEAVER 50G

Asada Pipe Cutter, Carriage & Reamer

No.	Code No.	Parts Name	Qty	BE50	Note
1	BG551	BE50G Cutter Handle Complete	1	×	
2	BG546	BE50G Cutter Body	1	×	
3	83036	Spring Pin 6x20L	1	○	
4	BE559	BE50 Cutter Guide Bar	1	○	
5	BG550	BE50G Cutter Bracket	1	○	Can be installed to BE50
6	83089	Spring Pin 6x36L	1	○	
7	59510	Cutter Key	1	○	
8	80158	Hex Socket Bolt M5x15L Blackening	1	○	
9	BE884	BE80 Cutter Roller	2	○	
10	BG549	BE50G Cutter Roller Set Pin	2	×	
11	63503	Bracket Spring	1	○	
12	83098	Spring Pin 10x36L	1	○	
13	21511	Cutter Blade Set Pin	1	○	
14	83375	Split Pin 2x15L	1	○	
15	04510	Cutter Blade No3	1	○	
16	BG547	BE50G Cutter Blade Holder	1	×	
17	BG548	BE50G Blade Holder Pin	1	×	
18	80152	Hex Socket Bolt M4x10L Blackening	2	×	
19	BG558	BE50G Reamer Blade	1	×	
20	83027	Spring Pin 5x32L	1	○	
21	83051	Spring Pin 8x32L	1	○	
22	BG557	BE50G Reamer Body	1	○	Can be installed to BE50
23	63604	Holder Pin	1	○	
24	81116	Spring Washer M12	1	○	
25	81221	Plain Washer S M12	1	○	
26	BG556	BE50G Reamer Holder	1	○	Can be installed to BE50
27	BG540	BE50G Rack Handle	1	×	
28	83070	Spring Pin 6x40L	1	○	
29	BG541	BE50G Rack Pinion	1	×	
30	BG538	BE50G Fix Bolt	3	×	
31	BE562	BE50 Cutter Pin	1	○	
32	80167	Hex Socket Bolt M6x25L Blackening	1	○	
33	BG536	BE50G Carriage	1	×	
34	85608	Hose Band Φ 12	1	○	
35	85082	Elbow WES8xPT1/4	1	○	
36	80370	Hex Socket Set Bolt M8x15L Blackening	1	○	
37	81009	Hex Nut M8 (3) Blackening	1	×	
38	BG537	BE50G Splashproof Plate	1	×	
39	80164	Hex Socket Bolt M6x16L Blackening	2	×	
40	59409	Die Head Set Pin	1	○	
41	88573	Steel Ball 5/16	1	○	
42	22404	Oil Adjust Spring	1	○	
43	20410	Oil Adjust Screw	1	○	
44	81011	Hex Nut M12 (3) Blackening	1	○	
Set	BG545	BE50G Pipe Cutter Assembly(No.1-17,21,31)	1	○	Can be installed to BE50
Set	BG607	BE50G Cutter Blade Holder Complete(No.16,17)	1	×	
Set	BG555	BE50G Reamer Assembly(No.18-26,32)	1	○	Can be installed to BE50
Set	BG539	BE50G Rack Handle Assembly(No.27-29)	1	×	

Threading Machine BEAVER 50G

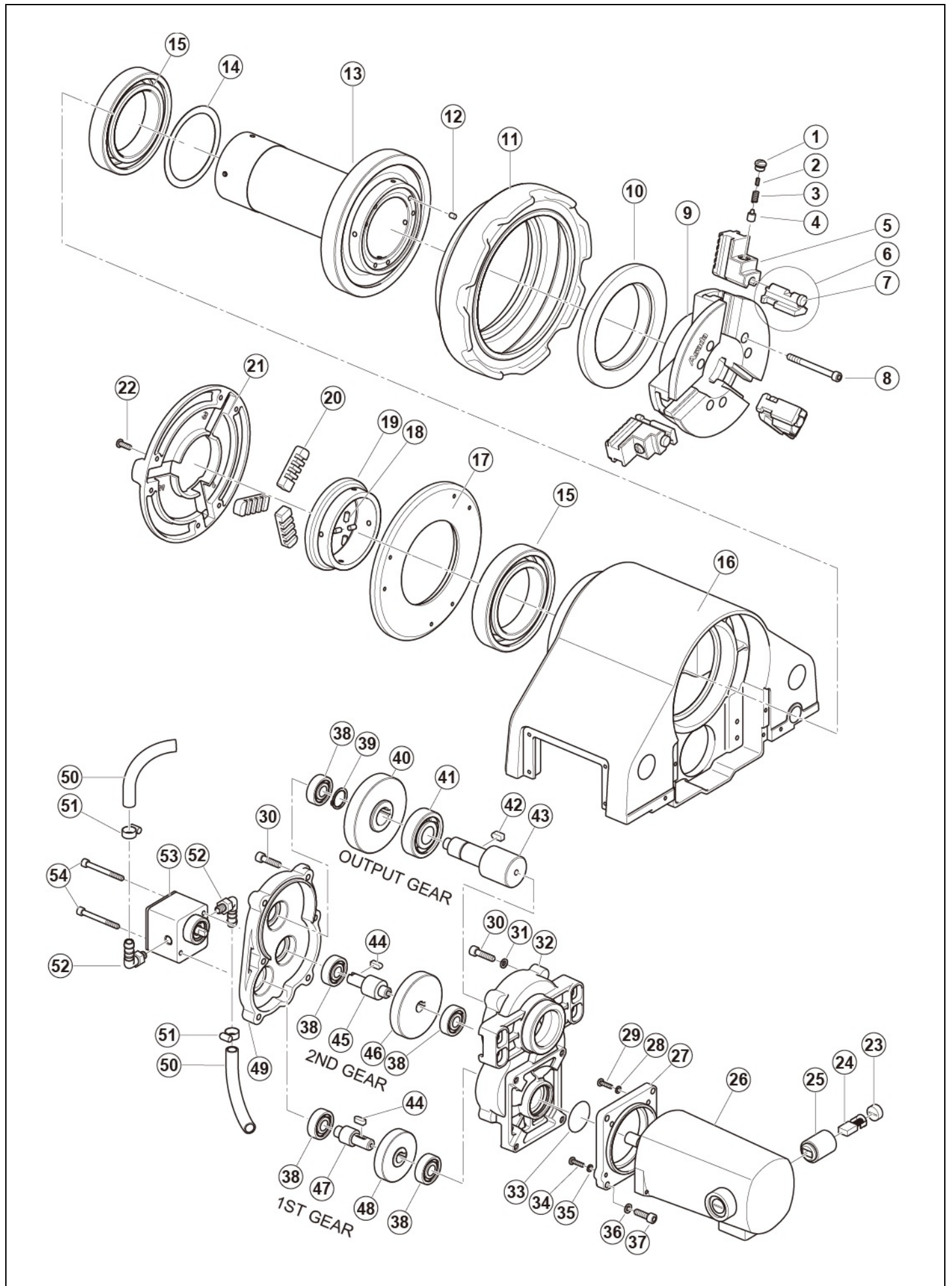
Asada Frame & Spindle Case



Threading Machine BEAVER 50G

Asada Frame & Spindle Case

Ref.No.	Code No.	Parts Name	Qty	BE50	Note
1	83352	Plate Tack No2x4.8L	8	×	
2	BG525	BE50G ASADA Logo Plate	1	×	
3	BG506	BE50G Spindle Case	1	×	
4	82181	Pan Head Screw M5x10L Blackening	18	×	
5	82366	Pan Head Screw M3x12L Blackening	2	×	
6	BG524	BE50G Switch Plate	1	×	
7	BE983	BE80 Switch Cover	1	○	
8	BE984	BE80 Switch Spacer	2	○	
9	87187	Switch BEH2302	1	○	
10	BG509	BE50G Outer Ring Spacer	1	×	
11	80358	Hex Socket Set Bolt M6x6L Blackening	1	○	
12	BE961	BE80 Hose Protection Pipe	1	×	
13	BG522	BE50G Gear Cover	1	×	
14	BG523	BE50G Oil Cover	1	×	
15	BG563	BE50G Chip Pan	1	×	
16	10304	Strainer	1	○	
17	BG564	BE50G Oil Tank Lid	1	×	
18	BG567	BR50G Rear Cover	1	×	
19	BG561	BE50G Frame	1	×	
20	BG526	BE50G Machine Plate	1	×	
21	80182	Hex Socket Bolt M8x45L Blackening	2	○	
22	81254	Spring Washer CM8	2	○	
23	BG507	BE50G Guide Bar R	1	×	
24	BG508	BE50G Guide Bar F	1	×	
25	BG562	BE50G Side Cover	2	×	
26	85608	Hose Band Φ 12	2	○	
27	85083	Connector GES8xPT1/4	2	○	
28	81254	Spring Washer CM8	4	○	
29	80182	Hex Socket Bolt M8x45L Blackening	4	○	
30	80381	Hex Socket Set Bolt M10x18L Blackening	4	×	
31	84249	Plug 1/2	1	○	
32	85023	Street Elbow PT1/4x1/4	1	×	
33	70123	Binding Band Φ 12	1	○	
34	85484	Oil Hose TB-8	1	○	70mm, The length is different.
35	BE363	BE25 Filter	1	×	
36	BG569	BE50G Frame Under Cover B	1	×	
37	80161	Hex Socket Bolt M6x10L Blackening	1	×	
38	BG568	BE50G Frame Under Cover A	1	×	
39	80011	Hexagon Head Bolt M6x10L	4	○	
40	BE939	BE80 Power Cord 100V-120V	1	○	
40	BE863	BE80 Power Cord 220V-240V	1	○	
41	70335	Cord Connector OA-W1611	1	○	
42	BE683	BE50 Leg Holder	4	○	
43	81254	Spring Washer CM8	4	○	
44	80179	Hex Socket Bolt M8x30L Blackening	4	×	
45	BG579	BE50G Leg Complete	1set	×	



Threading Machine BEAVER 50G



Hammer Chuck, Scroll & Gears

No	Code No	Parts Name	Qty	BE50	Note
1	BE508	BE50 Hammer Chuck Bolt	3	○	
2	BE507	BE50 Hammer Chuck Spring B	3	○	
3	BE506	BE50 Hammer Chuck Spring A	3	○	
4	BE509	BE50 Hammer Chuck Pin	3	○	
5	BE502	BE50 Hammer Chuck Jaw Assembly	1set	○	
6	BE826	BE80 Jaw Insert Complete (No.6,7)	1set	○	
7	BE828	BE80 Jaw Head	3	○	
8	80238	Hex Socket Bolt M6x65L Blackening	6	×	
9	BE510	BE50 Hammer Chuck Body	1	○	
10	63103	Hammer Chuck Scroll	1	○	
11	BG501	BE50G Hammer Chuck Outer Ring	1	×	
12	63234	Pre-Load Spring	6	○	
13	BG510	BE50G Spindle Gear Complete	1	×	
14	63238	Thrust Plate	1	○	
15	84422	Ball Bearing 6015 2RS	2	○	
16	BG506	BE50G Spindle Case	1	×	
17	BG532	BE50G Scroll Cap	1	×	
18	70523	Pin B5x10L	4	×	
19	BG533	BE50G Scroll	1	×	
20	63307	Scroll Jaw Set	1set	○	
21	BG531	BE50G Scroll Body	1	×	
22	82183	Pan Head Screw M5x15L Blackening	6	○	With old BE50 motor
23	70708	Carbon Cap	2	○	With old BE50 motor
24	70851	Carbon Brush BE50G/BE50/AS2	1set	○	With old BE50 motor
25	70707	Carbon Holder P40/60/90/NO1/82/104/AS2	2	○	With old BE50 motor
26	BE603	BE50 Motor 220V-240V(No.23-26)	1	○	Will be supplied as BE603A
-	BE619	BE50 Armature 220V	1	○	With old BE50 motor
-	BE618	BE50 Stator Coil 220V	1	○	With old BE50 motor
27	BE543	BE50 Motor Adapter	1	○	With old BE50 motor
28	81112	Spring Washer M5	2	○	
29	82183	Pan Head Screw M5x15L Blackening	2	○	
30	80167	Hex Socket Bolt M6x25L Blackening	10	○	
31	81251	Spring Washer CM6	4	○	
32	BG514	BE50G Gear Box	1	×	
33	84513	O Ring S-35	1	○	
34	82178	Pan Head Screw M4x15L Blackening	2	○	
35	81111	Spring Washer M4	2	○	
36	81251	Spring Washer CM6	4	○	
37	80166	Hex Socket Bolt M6x 20L Blackening	4	○	
38	84116	Ball Bearing 6201ZZ	5	○	
39	83307	C Snap Ring S-20	1	○	
40	BG517	BE50G Output Shaft Reduction Gear	1	×	
41	84165	Ball Bearing 6304ZZ	1	○	
42	20212	Parallel Key 6x6x13	1	○	
43	BG516	BE50G Output Shaft Pinion	1	×	
44	20209	Parallel Key 5x5x13	2	○	
45	BG518	BE50G 2nd Shaft Pinion	1	×	
46	BG519	BE50G 2nd Shaft Reduction Gear	1	×	
47	BG520	BE50G 1st Shaft Pinion	1	×	
48	BG521	BE50G 1st Shaft Reduction Gear	1	×	
49	BG515	BE50G Gear Box Cover	1	×	
50	85484	Oil Hose TB-8	2	○	IN:380mm OUT:880mm
51	85608	Hose Band Φ 12	2	○	
52	85088	Elbow GES8 × PT1/8	2	×	
53	BE45L	BE Gear Pump 25A	1	×	
54	80237	Hex Socket Bolt M5x55L Blackening	2	—	

Threading Machine

BEAVER 50G



Hammer Chuck, Scroll & Gears

No	Code №	Parts Name	Qty	BE50	Note
Set	BG500	BE50G Hammer Chuck Assembly(No.1-11)	1	×	The shape of the Outer Ring is different.
Set	BG513	BE50G Gear Box Assembly (No.30-33,38-49)	1	×	
Set	BG530	BE50G Scroll Assembly (No.17-22)	1	×	
Set	BG581	BE50G Output Shaft Assembly (No.38-43)	1	×	OUTPUT GEAR
Set	BG582	BE50G 2nd Shaft Assembly (No.38,44-46)	1	×	2ND GEAR
Set	BG583	BE50G 1st Shaft Assembly (No.38,44,47,48)	1	×	1ST GEAR
Set	BE603A	BE50 Motor 230V for repair(No.23-29,34-37)	1	○	Can be installed to all BE50
Set	BE643	BE50 Jaw Set Assembly (No.1-6)	1	○	
Set	BE644	BE50 Jaw Insert Set (No.2-4,6,)	1	○	